

Brand ZUCCHETTI

Class

SPIN

## KITCHEN

ZX3372.195E

Spin single lever sink mixer with adjustable spray.



Spin single lever sink mixer with adjustable spray, aerator, flexible hoses.

## Finishes



Chrome



Brushed Nickel

C3

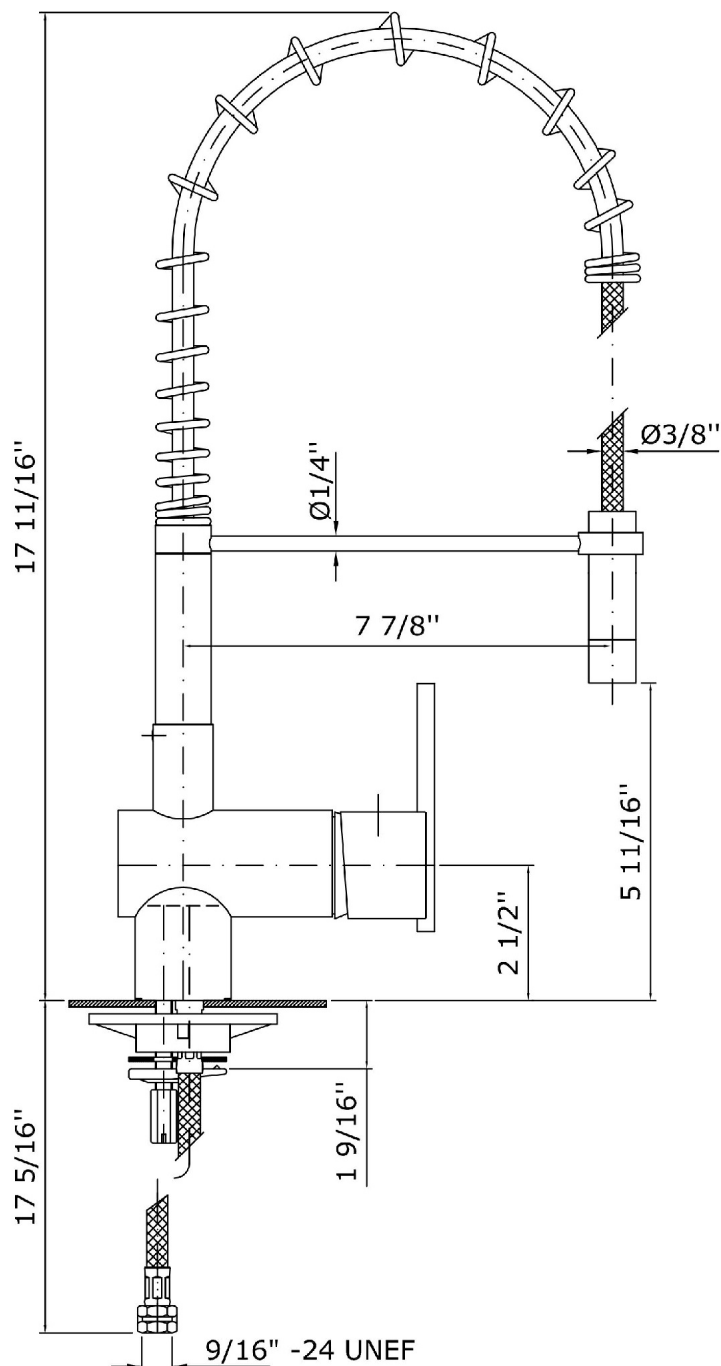
Brand ZUCCHETTI

Class

SPIN

## KITCHEN

ZX3372.195E Overall Drawing



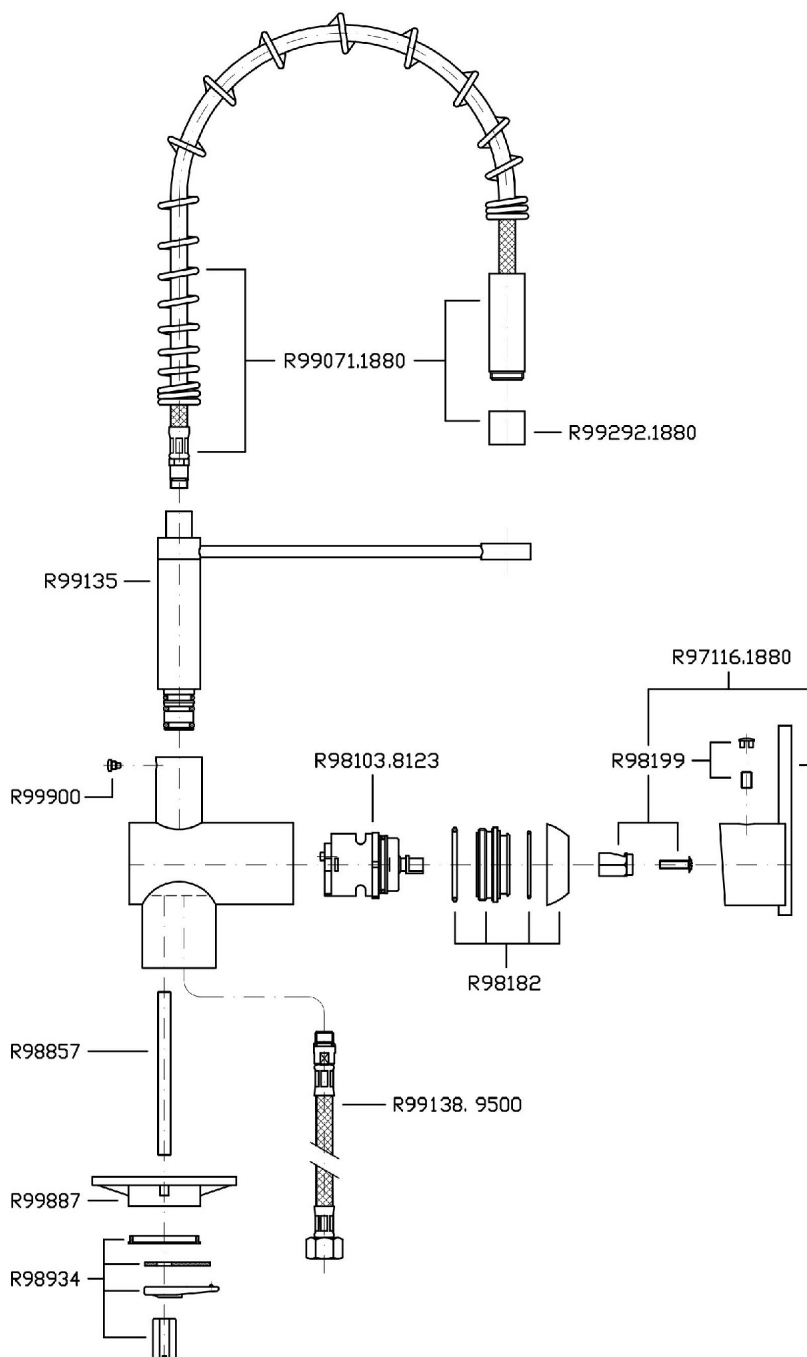
Brand ZUCCHETTI

Class

SPIN

## KITCHEN

ZX3372.195E Exploded



Brand ZUCCHETTI

Class

SPIN

## KITCHEN

ZX3372.195E Certifications

USA

IAPMO

## KITCHEN

ZX3372.195E Weights and Sizes

Weight ( lb )	3,6 ( Kg )	7,93656 ( lb )
Volume ( dc3 ) - ( in3 )	13,34 ( dc3 )	0,000814 ( in3 )
h ( mm ) - ( in )	90 ( mm )	3,543309 ( in )
L1 ( mm ) - ( in )	285 ( mm )	11,2204785 ( in )
L2 ( mm ) - ( in )	520 ( mm )	20,472452 ( in )

