

Brand ZUCCHETTI

Class

WOSH

WOSH

ZW5729.1900 Wall valve.



1/2" wall valve.

R99779.1900

Rough-in

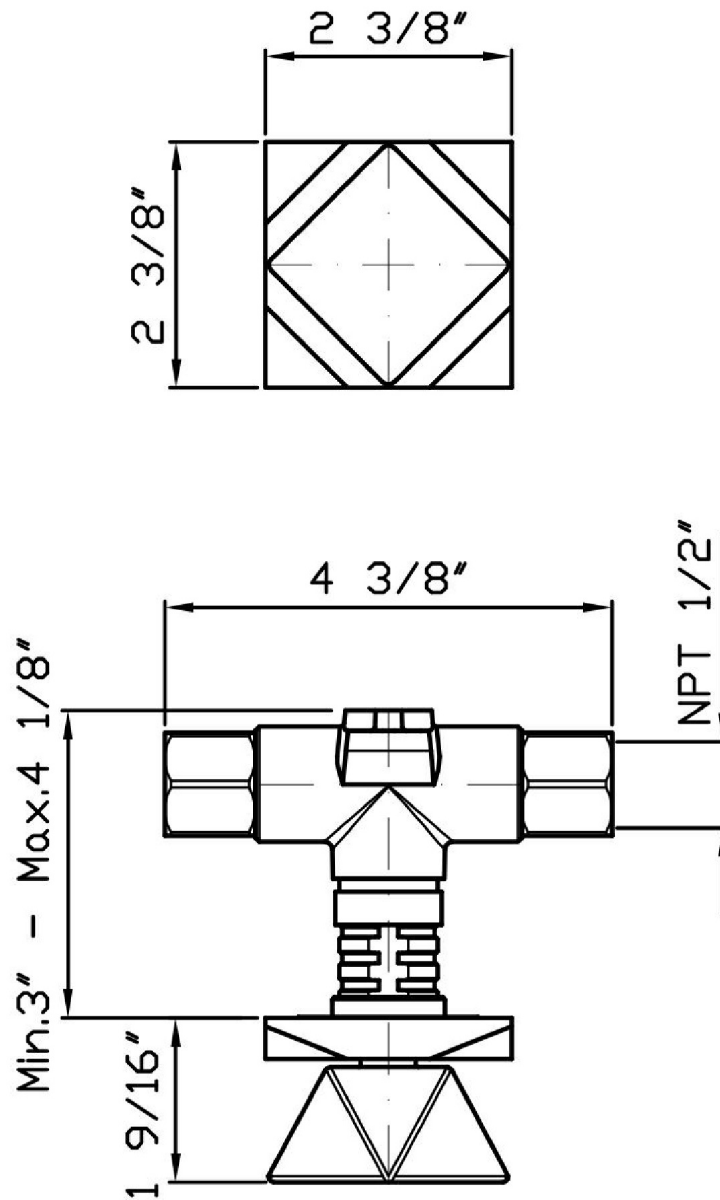


Finishes

		C8		C40		C41
Chrome	Polished Nickel		Gold		Brushed Gold	

WOSH

ZW5729.1900 Overall Drawing



Brand ZUCCHETTI

Class

WOSH

WOSH

ZW5729.1900 Certifications

USA

IAPMO

WOSH

ZW5729.1900 Weights and Sizes

Weight (lb)	0,94 (Kg)	2,072324 (lb)
Volume (dc3) - (in3)	3,32 (dc3)	0,000203 (in3)
h (mm) - (in)	93 (mm)	3,6614193 (in)
L1 (mm) - (in)	162 (mm)	6,3779562 (in)
L2 (mm) - (in)	220 (mm)	8,661422 (in)

