

Brand ZUCCHETTI

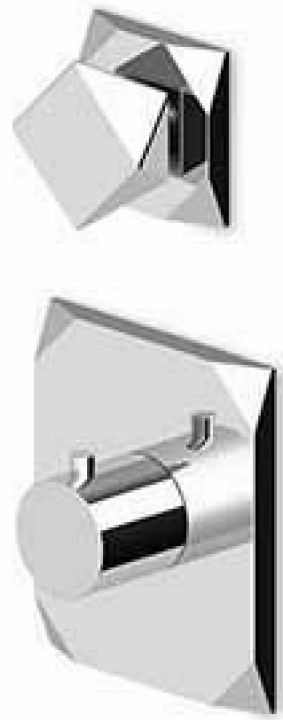
Class

WOSH

WOSH

ZW5646.1900

Built-in thermostatic shower mixer and 2/3 way diverter.



1/2" built-in thermostatic shower mixer and 2/3 way diverter with water on/off function.
5,2 GPM @ 43,5 PSI.

R97810.1900

Rough-in _ 2 way thermostatic mixer



R97815.1900

Rough-in _ 3 way thermostatic mixer



Finishes



Chrome



Polished Nickel

C8



Gold

C40



Brushed Gold

C41

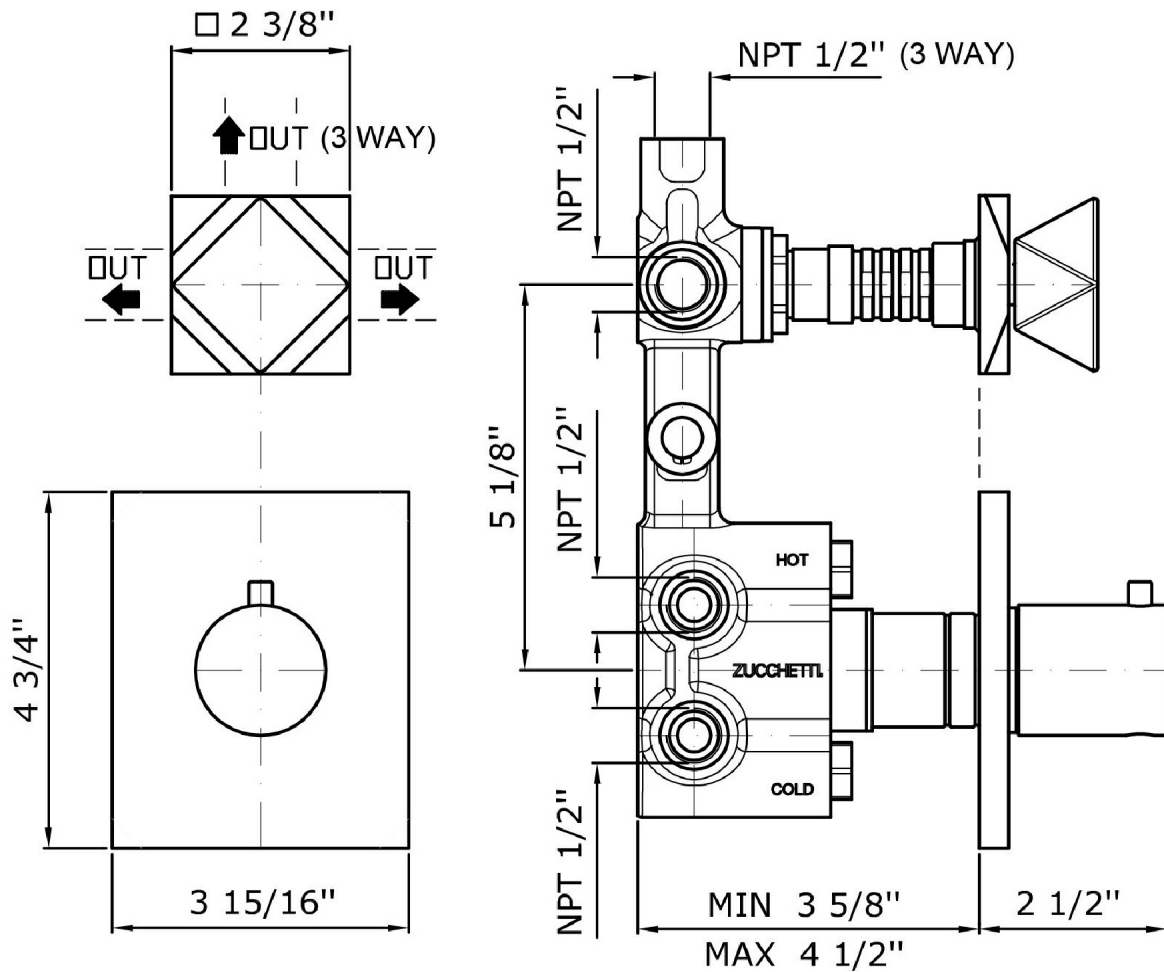
Brand ZUCCHETTI

Class

WOSH

WOSH

ZW5646.1900 Overall Drawing



Brand ZUCCHETTI

Class

WOSH

WOSH

ZW5646.1900 Weights and Sizes

Weight (lb)	2,097 (Kg)	4,6230462 (lb)
Volume (dc3) - (in3)	11,01 (dc3)	0,000672 (in3)
h (mm) - (in)	90 (mm)	3,543309 (in)
L1 (mm) - (in)	335 (mm)	13,1889835 (in)
L2 (mm) - (in)	365 (mm)	14,3700865 (in)

