

Brand ZUCCHETTI

Class

WOSH

WOSH

ZW5098.1900

Built-in thermostatic shower mixer with 3 volume controls.



$\frac{3}{4}$ " built-in thermostatic shower mixer with 3 volume controls.
7,6 GPM @ 43,5 PSI.

R99632.1900

Rough-in



Finishes



Chrome



Polished Nickel

C8

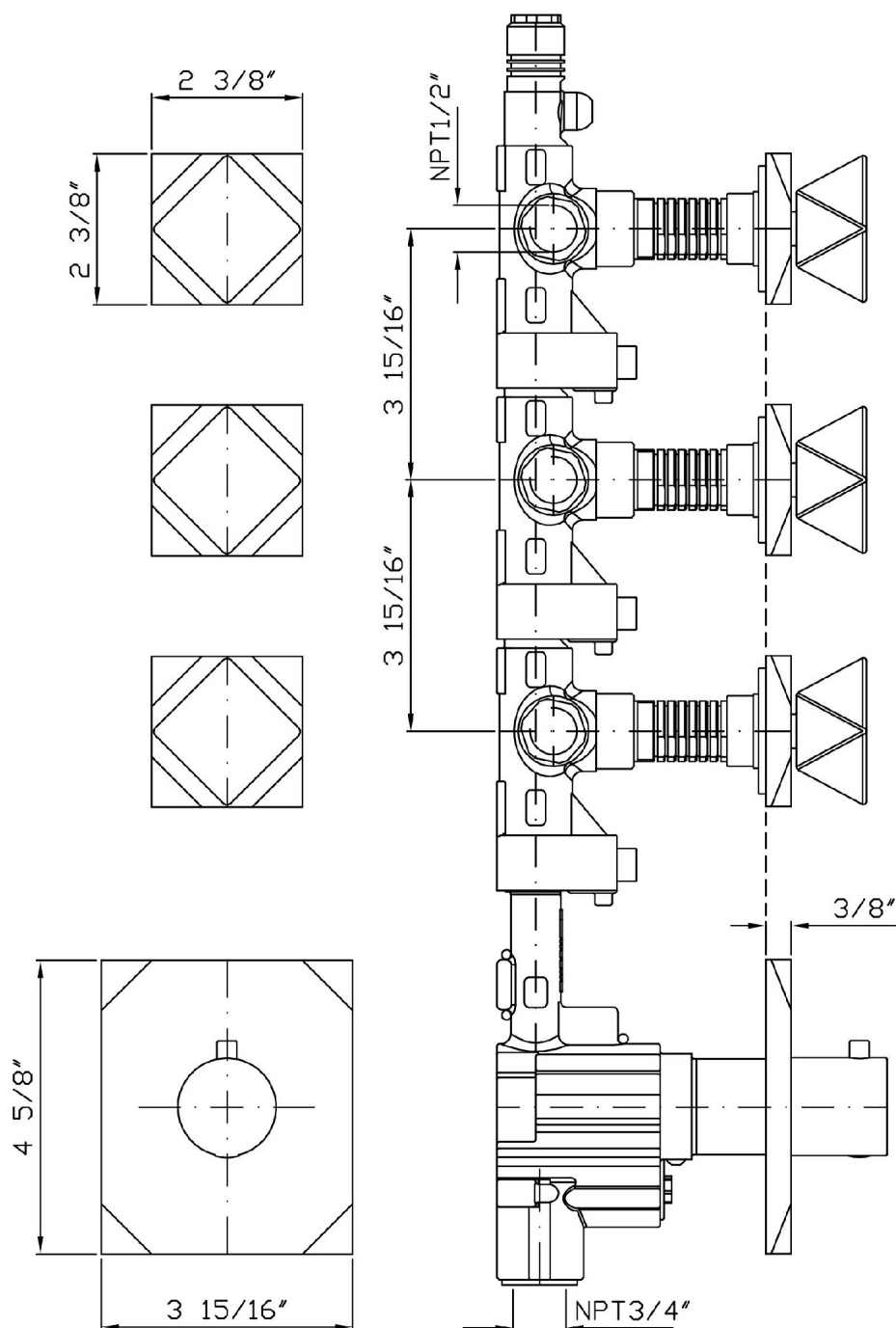
Brand ZUCCHETTI

Class

WOSH

WOSH

ZW5098.1900 Overall Drawing



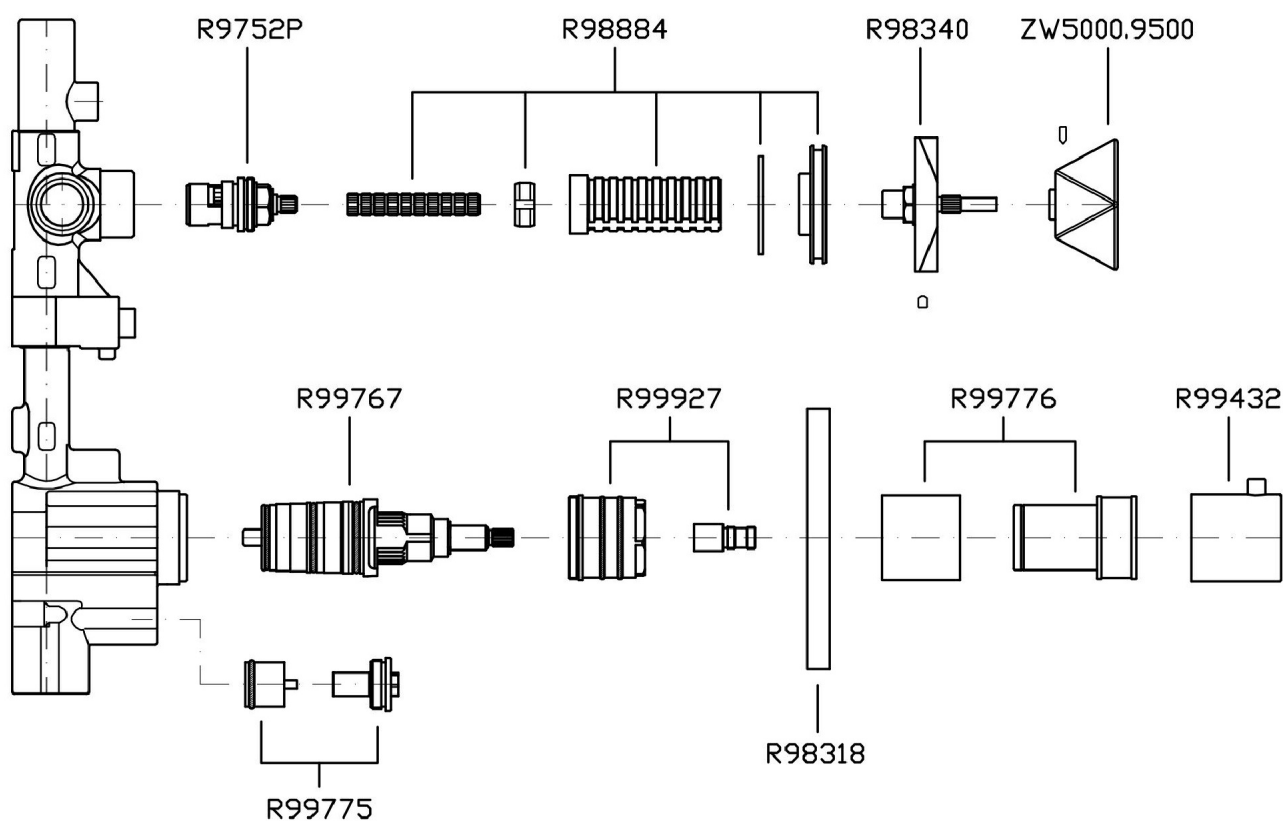
Brand ZUCCHETTI

Class

WOSH

WOSH

ZW5098.1900 Exploded



Brand ZUCCHETTI

Class

WOSH

WOSH

ZW5098.1900 Certifications

USA

IAPMO

WOSH

ZW5098.1900 Weights and Sizes

Weight (lb)	3,5 (Kg)	7,7161 (lb)
Volume (dc3) - (in3)	11,01 (dc3)	0,000672 (in3)
h (mm) - (in)	90 (mm)	3,543309 (in)
L1 (mm) - (in)	335 (mm)	13,1889835 (in)
L2 (mm) - (in)	365 (mm)	14,3700865 (in)

