

Brand ZUCCHETTI

Class

WOSH

WOSH

ZW5083.1901

Built-in thermostatic shower mixer.



$\frac{3}{4}$ " built-in thermostatic shower mixer.
7,6 GPM @ 43,5 PSI.

R99649.1900

Rough-in.



Finishes



Chrome



Polished Nickel

C8



Gold

C40



Brushed Gold

C41

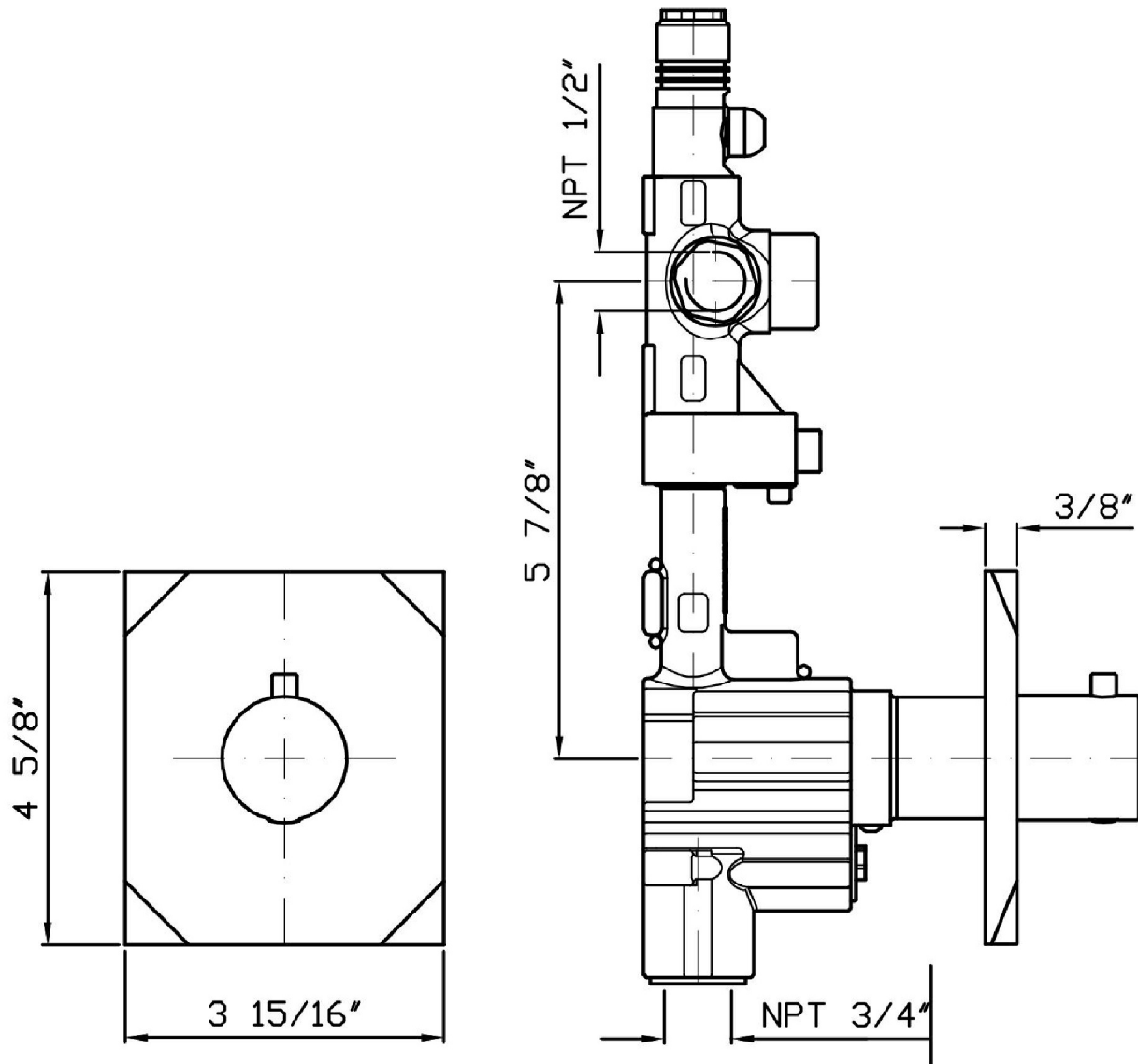
Brand ZUCCHETTI

Class

WOSH

WOSH

ZW5083.1901 Overall Drawing



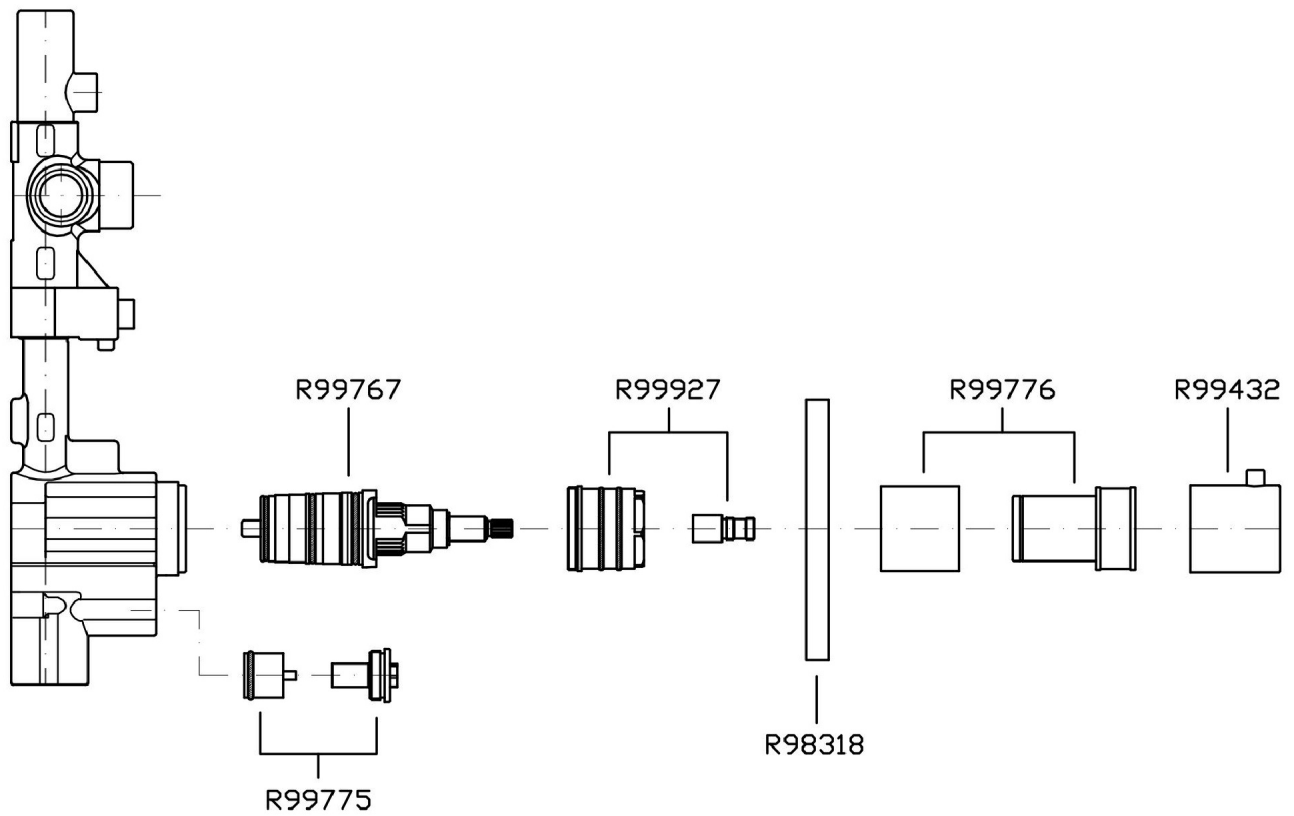
Brand ZUCCHETTI

Class

WOSH

WOSH

ZW5083.1901 Exploded



Brand ZUCCHETTI

Class

WOSH

WOSH

ZW5083.1901 Weights and Sizes

Weight (lb)	1,27 (Kg)	2,799842 (lb)
Volume (dc3) - (in3)	11,01 (dc3)	0,000672 (in3)
h (mm) - (in)	90 (mm)	3,543309 (in)
L1 (mm) - (in)	335 (mm)	13,1889835 (in)
L2 (mm) - (in)	365 (mm)	14,3700865 (in)

