

WOSH

ZW1192.195E Single lever basin mixer.



Single lever basin mixer. pop-up waste, flexible hoses.
Spout projection 5 3/4".
Water flow restricted. 1,32 GPM.

Finiture / Finishes



Chrome



Polished Nickel

C8



Gold

C40

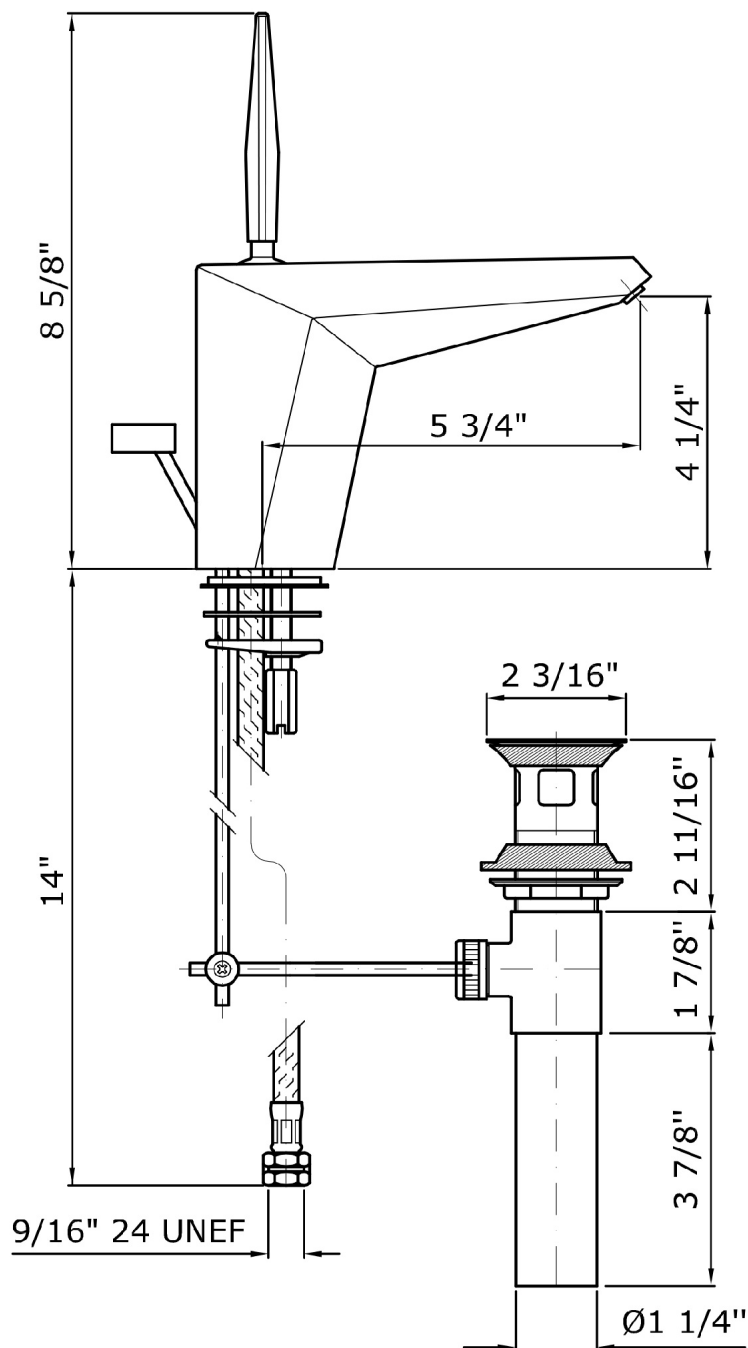


Brushed Gold

C41

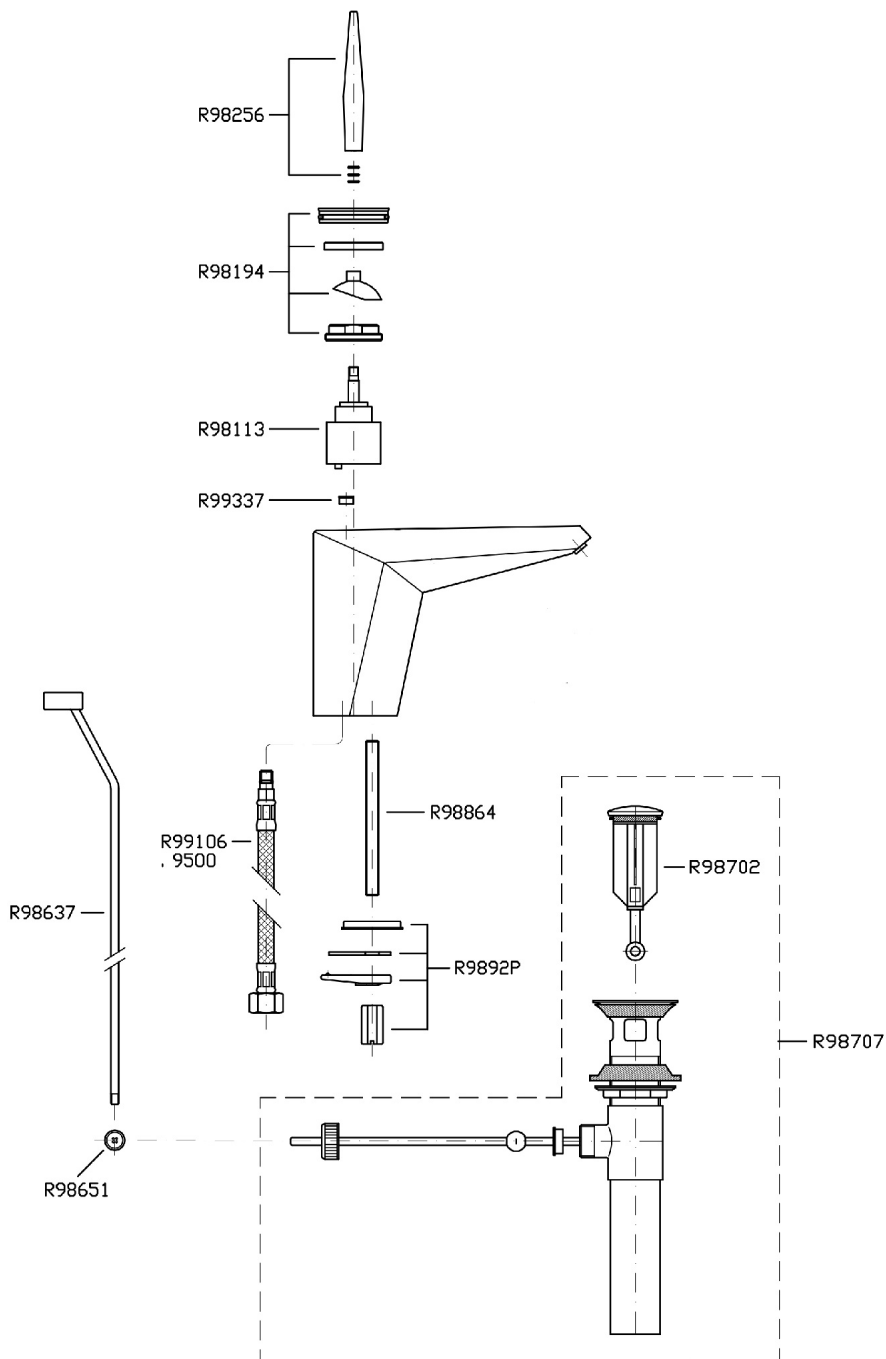
WOSH

ZW1192.195E Disegno Complessivo / Overall Drawing



WOSH

ZW1192.195E Esplosi / Exploded



WOSH

ZW1192.195E Pesì e Misure / Weights and Sizes

Peso (Kg) Weight (lb)	3,55 (Kg)	7,82633 (lb)
Volume (dc3) - (in3)	7,43 (dc3)	0,000453 (in3)
h (mm) - (in)	90 (mm)	3,543309 (in)
L1 (mm) - (in)	250 (mm)	9,842525 (in)
L2 (mm) - (in)	330 (mm)	12,992133 (in)

