

Brand ZUCCHETTI

Class THERMOSTATIC MIXERS

MISCELLANEOUS

ZT2750.1900 Built-in thermostatic shower mixer with stop



1/2" built-in thermostatic shower mixer with stop valve.

R97900.1900

Rough-in



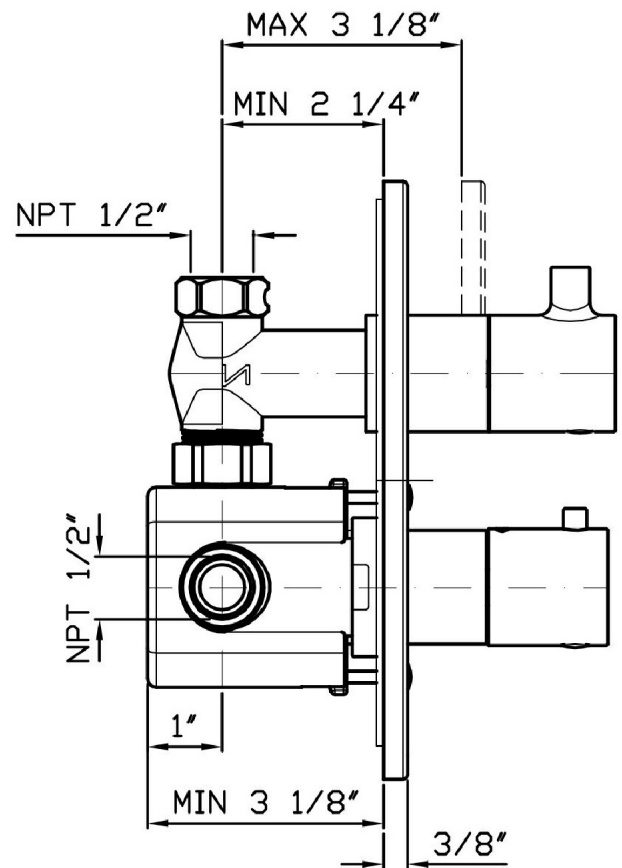
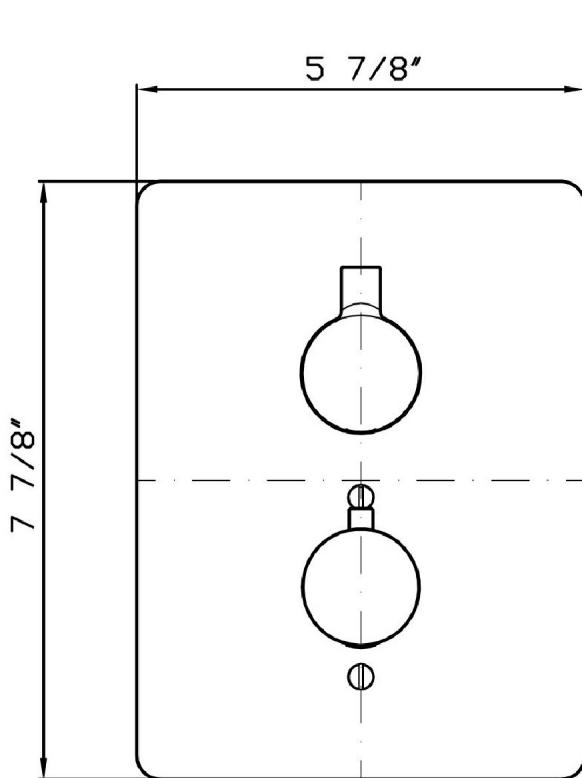
Finishes



Chrome

MISCELLANEOUS

ZT2750.1900 Overall Drawing



Brand ZUCCHETTI

Class

THERMOSTATIC
MIXERS

MISCELLANEOUS

ZT2750.1900 Weights and Sizes

Weight (lb)	1 (Kg)	2,2046 (lb)
Volume (dc3) - (in3)	3,32 (dc3)	0,000203 (in3)
h (mm) - (in)	93 (mm)	3,6614193 (in)
L1 (mm) - (in)	162 (mm)	6,3779562 (in)
L2 (mm) - (in)	220 (mm)	8,661422 (in)

