

Brand ZUCCHETTI

Class THERMOSTATIC MIXERS

MISCELLANEOUS

ZT2545.1900 Built-in thermostatic shower mixer.



1/2" built-in thermostatic shower mixer.

R97900.1900

Rough-in



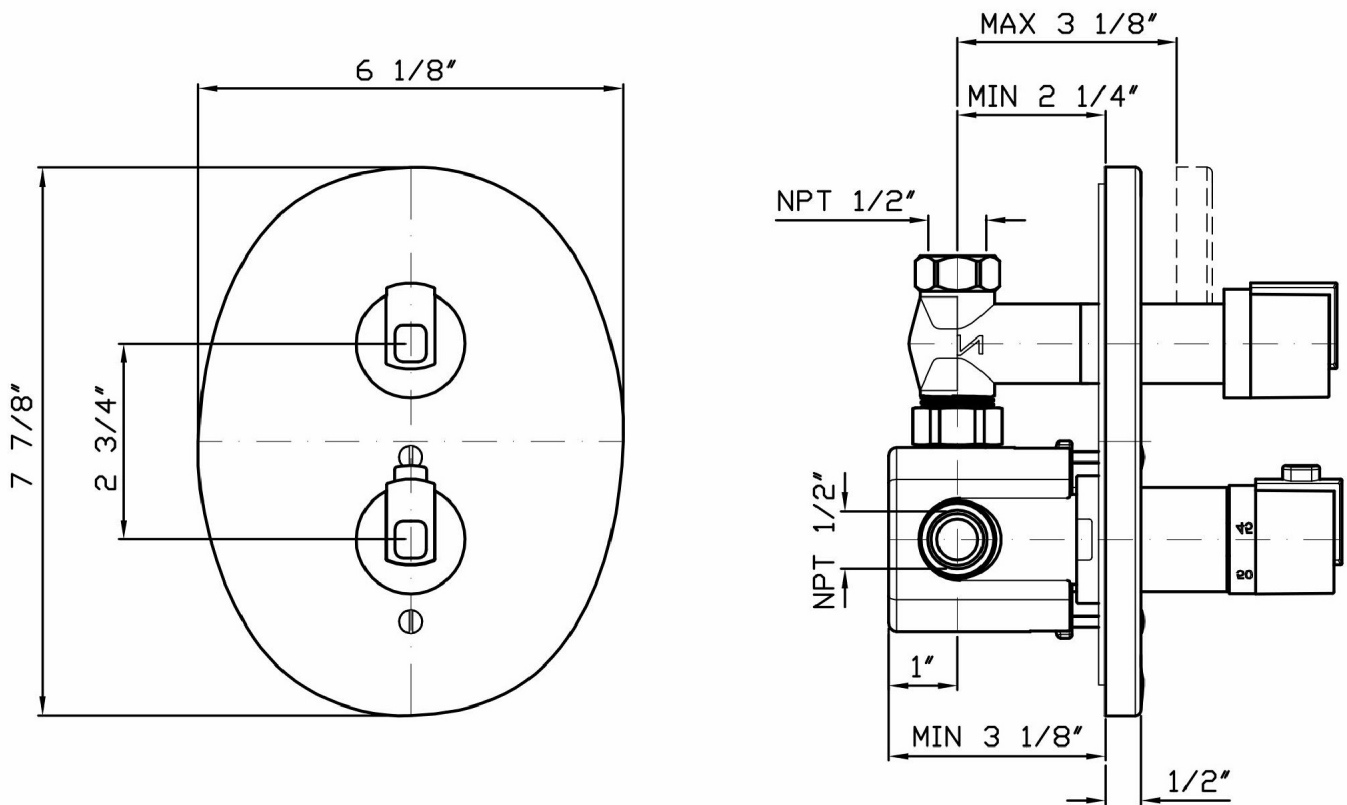
Finishes



Chrome

MISCELLANEOUS

ZT2545.1900 Overall Drawing



Brand ZUCCHETTI

Class

THERMOSTATIC
MIXERS

MISCELLANEOUS

ZT2545.1900 Weights and Sizes

Weight (lb)	0,645 (Kg)	1,421967 (lb)
Volume (dc3) - (in3)	2,58 (dc3)	0,000157 (in3)
h (mm) - (in)	70 (mm)	2,755907 (in)
L1 (mm) - (in)	160 (mm)	6,299216 (in)
L2 (mm) - (in)	230 (mm)	9,055123 (in)

