

Brand ZUCCHETTI

Class

SIMPLY  
BEAUTIFUL

## SIMPLY BEAUTIFUL

ZSB5699.190E 3 hole built-in basin mixer.



3 hole built-in basin mixer, with aerator.  
Spout projection 6 5/8".  
Water flow restricted to 1,3 GPM.

R99500.190E

Assembled rough-in part, interaxe 8"



### Finishes



Chrome



Brushed Nickel

C3

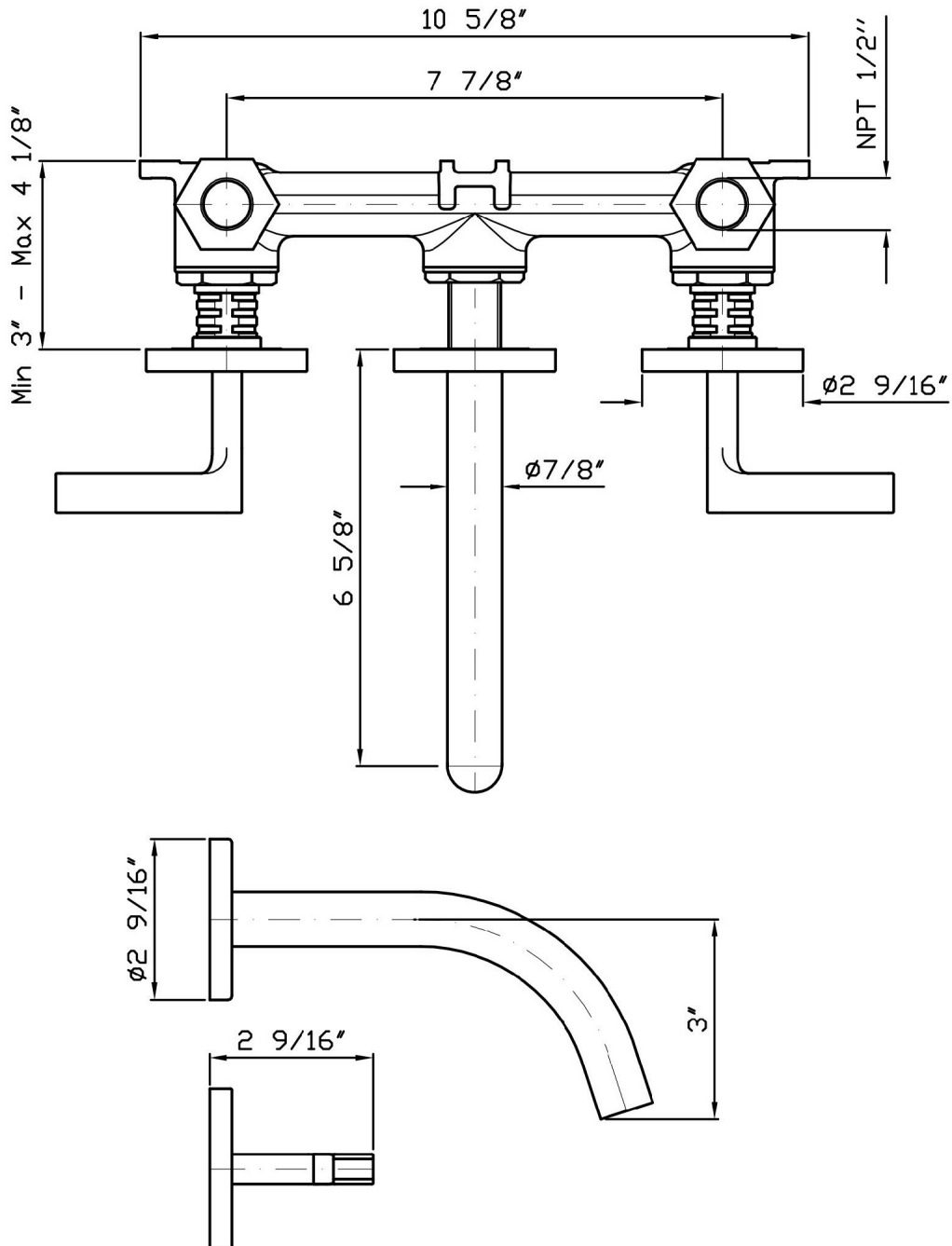


Polished Nickel

C8

## SIMPLY BEAUTIFUL

ZSB5699.190E Overall Drawing



Brand ZUCCHETTI

Class

SIMPLY  
BEAUTIFUL

## SIMPLY BEAUTIFUL

ZSB5699.190E Certifications

USA

IAPMO

## SIMPLY BEAUTIFUL

ZSB5699.190E Weights and Sizes

Weight ( lb )	2,218 ( Kg )	4,8898028 ( lb )
Volume ( dc3 ) - ( in3 )	11,01 ( dc3 )	0,000672 ( in3 )
h ( mm ) - ( in )	90 ( mm )	3,543309 ( in )
L1 ( mm ) - ( in )	335 ( mm )	13,1889835 ( in )
L2 ( mm ) - ( in )	365 ( mm )	14,3700865 ( in )

