

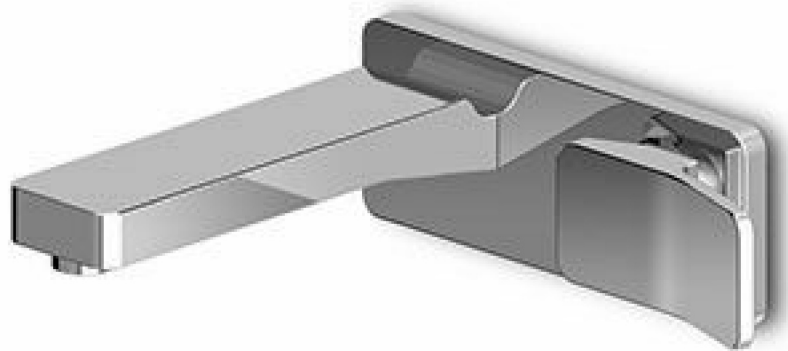
Brand ZUCCHETTI

Class

SOFT

SOFT

ZP7292.190E Built-in single lever basin mixer.



Built-in single lever basin mixer with aerator.
Spout projection 7 7/8".
Water flow restricted to 1,2 GPM.

R99799.190E

Rough-in



Finishes



Chrome



Brushed Nickel

C3



Polished Nickel

C8

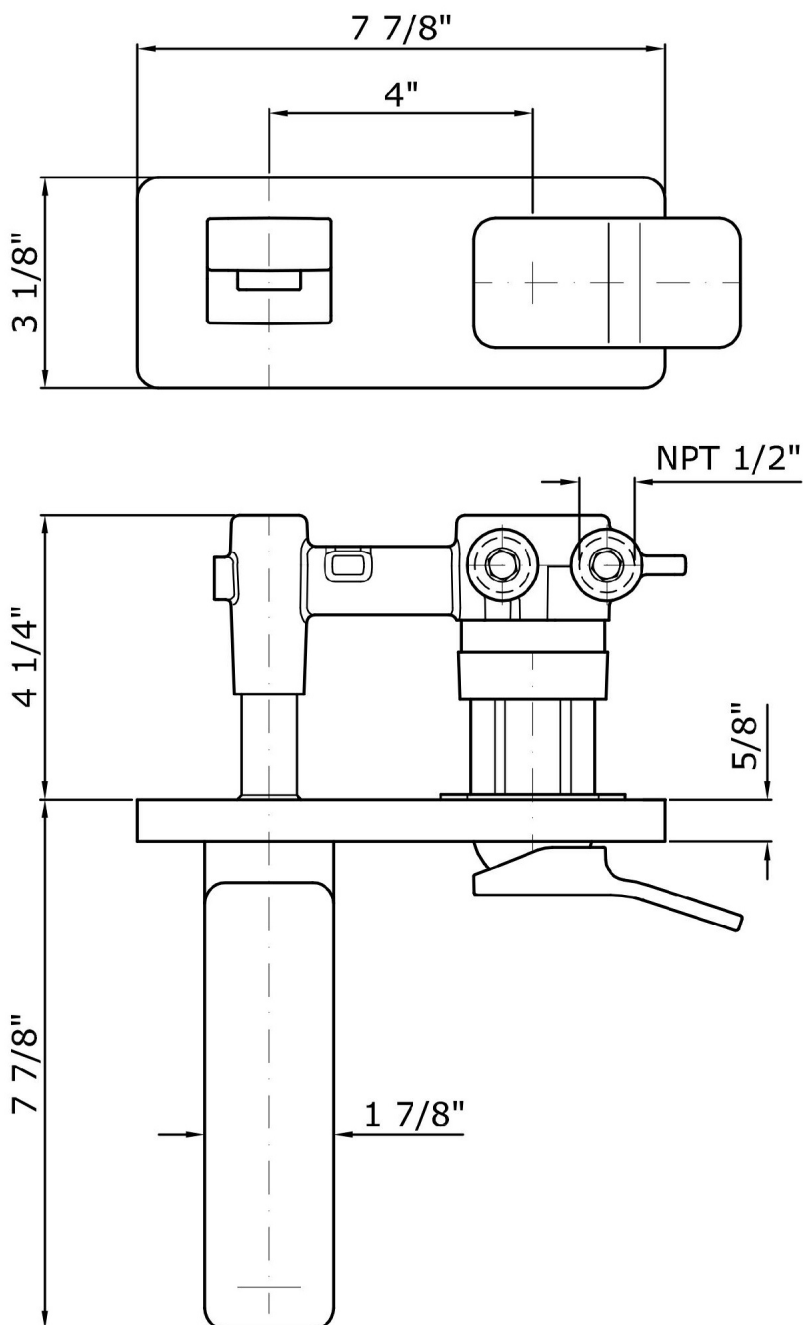
Brand ZUCCHETTI

Class

SOFT

SOFT

ZP7292.190E Overall Drawing



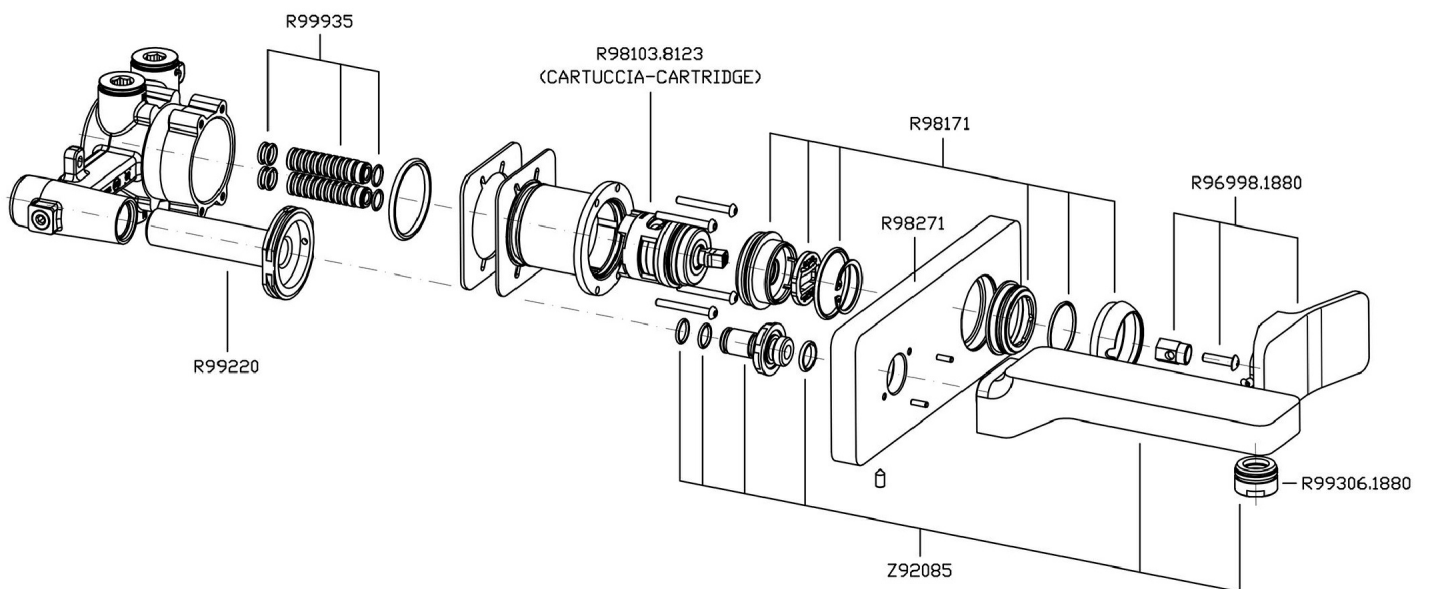
Brand ZUCCHETTI

Class

SOFT

SOFT

ZP7292.190E Exploded



Brand ZUCCHETTI

Class

SOFT

SOFT

ZP7292.190E Certifications

USA

IAPMO

SOFT

ZP7292.190E Weights and Sizes

Weight (lb)	3,5 (Kg)	7,7161 (lb)
Volume (dc3) - (in3)	7,43 (dc3)	0,000453 (in3)
h (mm) - (in)	90 (mm)	3,543309 (in)
L1 (mm) - (in)	250 (mm)	9,842525 (in)
L2 (mm) - (in)	330 (mm)	12,992133 (in)

