

KITCHEN

ZP6358.195E Single lever sink mixer.



Single lever sink mixer with swivel spout, aerator, flexible hoses.

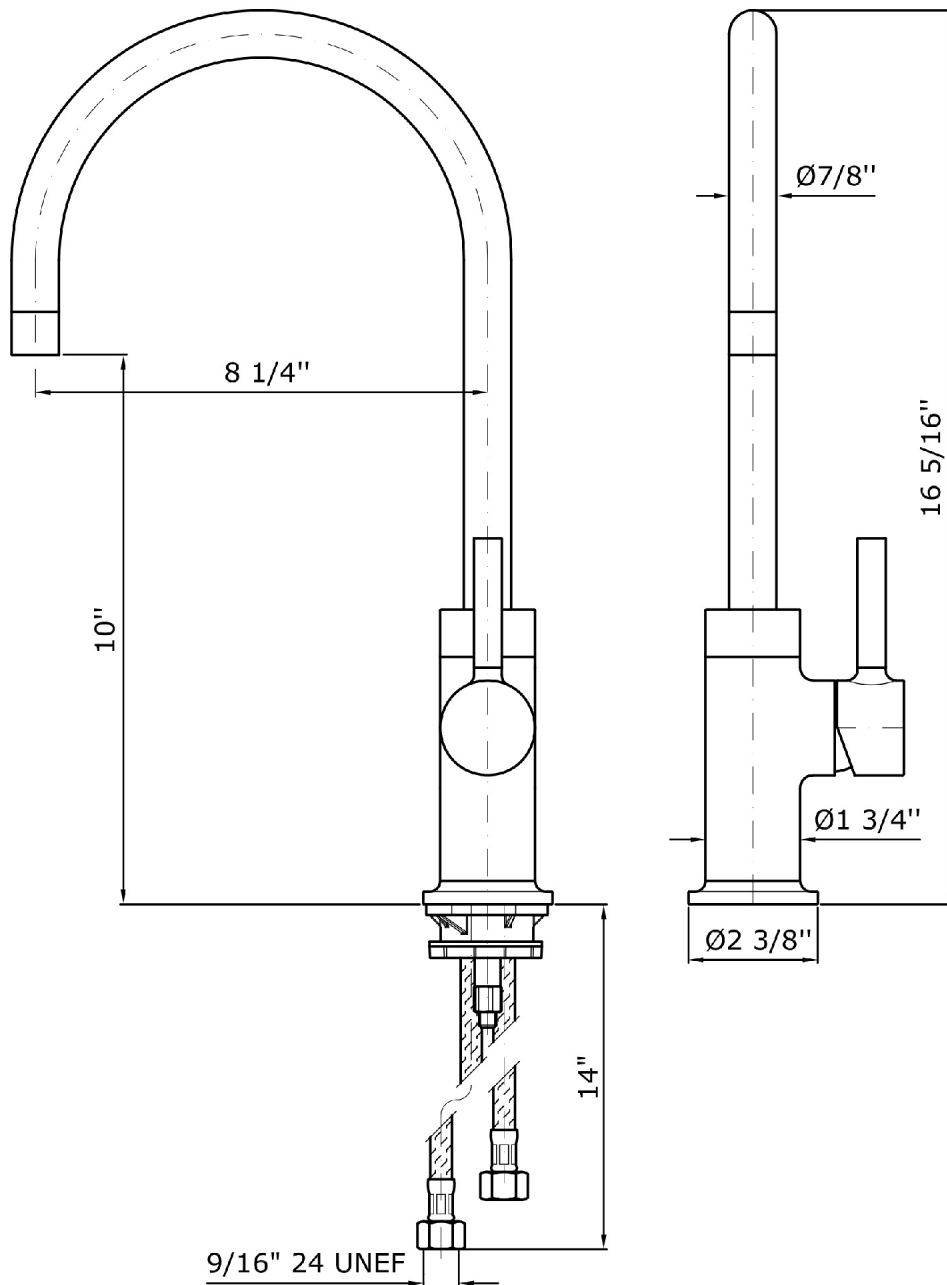
Finiture / Finishes



Chrome

KITCHEN

ZP6358.195E Disegno Complessivo / Overall Drawing



KITCHEN

ZP6358.195E Certificazioni / Certifications

USA

CSA

KITCHEN

ZP6358.195E Pesì e Misure / Weights and Sizes

Peso (Kg) Weight (lb)	3,10 (Kg)	6,83 (lb)
Volume test (dc3) - (in3)	13,34 (dc3)	814,06 (in3)
h (mm) - (in)	90,00 (mm)	3,54 (in)
L1 (mm) - (in)	285,00 (mm)	11,22 (in)
L2 (mm) - (in)	520,00 (mm)	20,47 (in)

