

KITCHEN

ZP6284.195E

Pan single lever sink mixer with swivel spout.



Pan single lever sink mixer with swivel spout, aerator, flexible tails.

Finiture / Finishes



Chrome



Brushed Nickel

C3



Embossed Matt White

W1

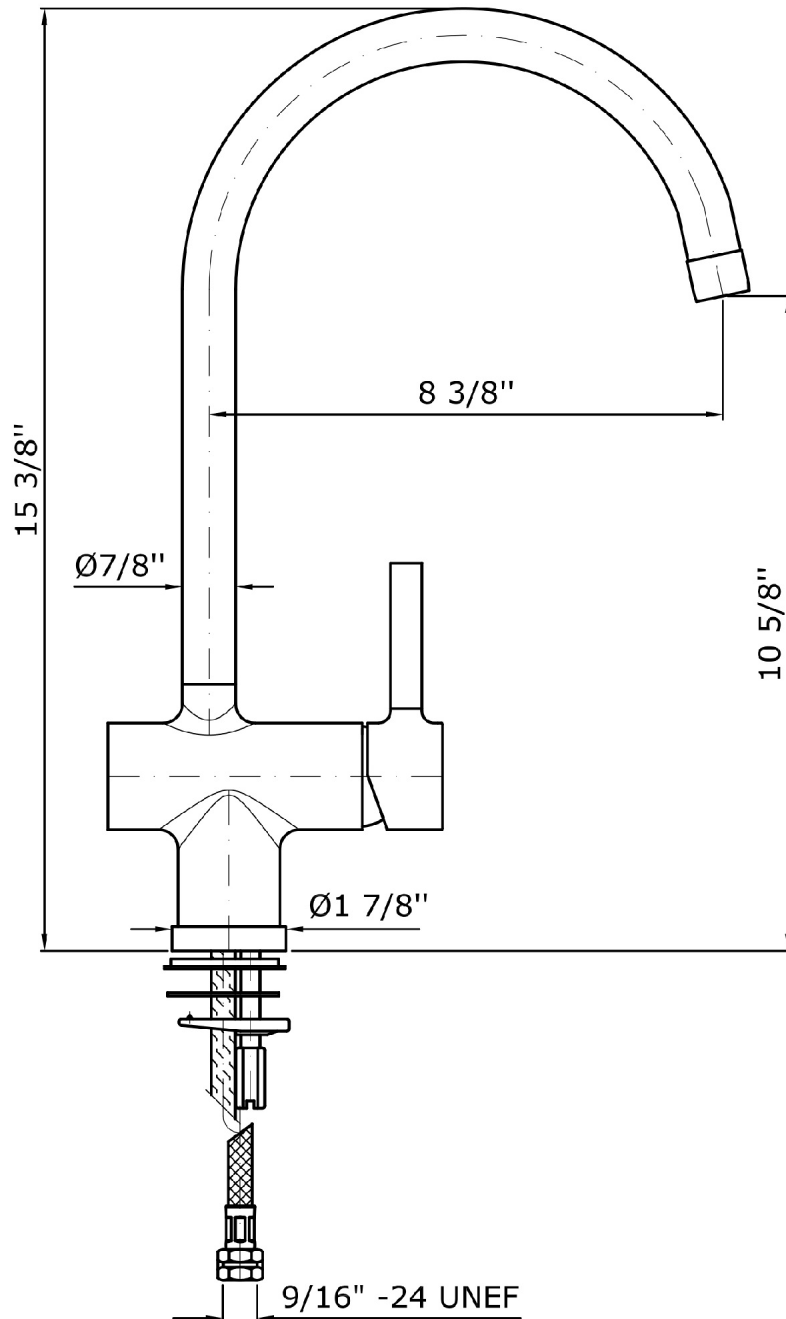


Embossed Matt Black

N1

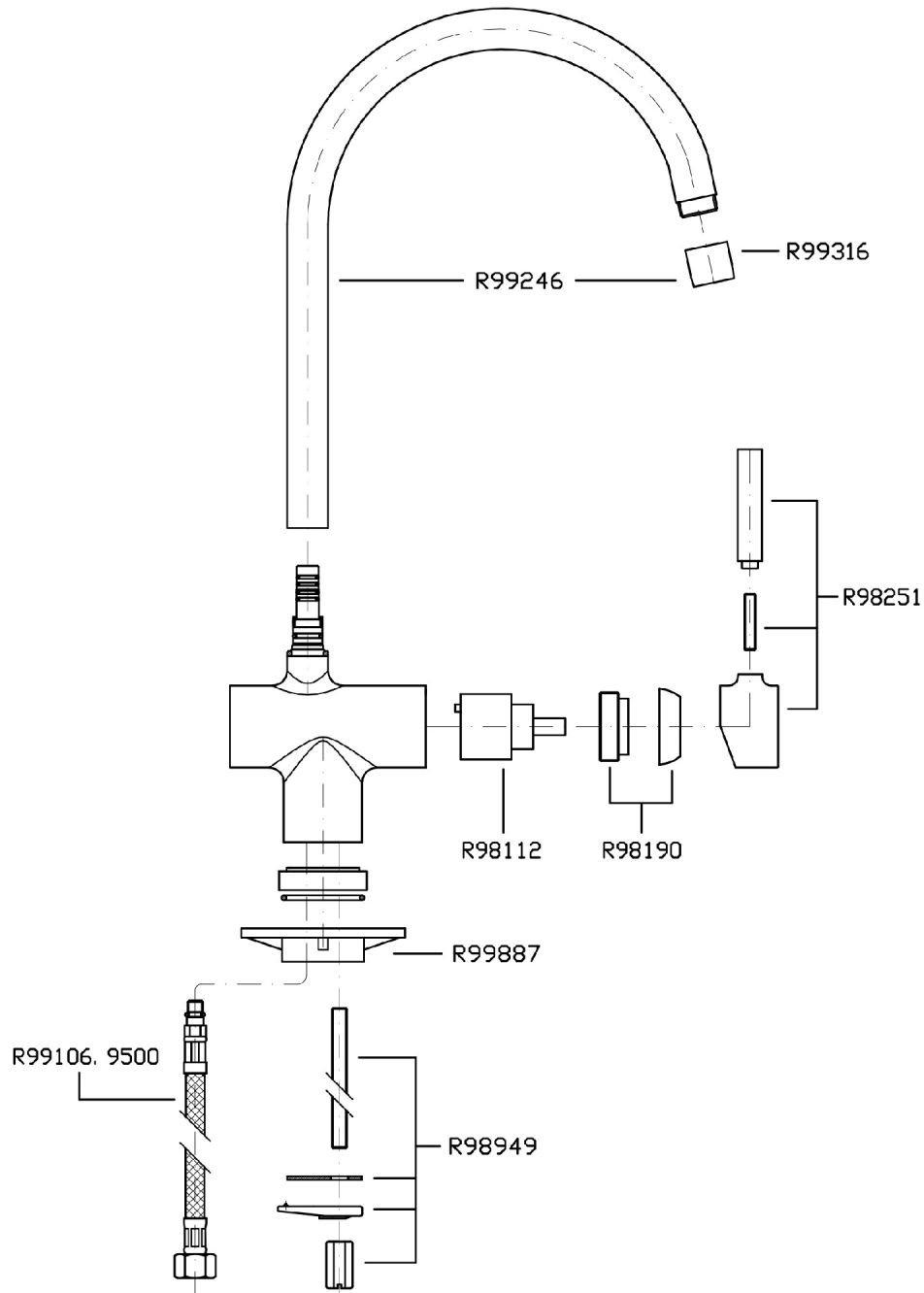
KITCHEN

ZP6284.195E Disegno Complessivo / Overall Drawing



KITCHEN

ZP6284.195E Esplosi / Exploded



KITCHEN

ZP6284.195E Certificazioni / Certifications

USA

CSA

KITCHEN

ZP6284.195E Pesì e Misure / Weights and Sizes

Peso (Kg) Weight (lb)	3,25 (Kg)	7,16 (lb)
Volume test (dc3) - (in3)	15,98 (dc3)	975,16 (in3)
h (mm) - (in)	90,00 (mm)	3,54 (in)
L1 (mm) - (in)	335,00 (mm)	13,19 (in)
L2 (mm) - (in)	530,00 (mm)	20,87 (in)

