






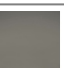
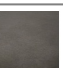



PAN

ZP6211.195E Single lever basin mixer.



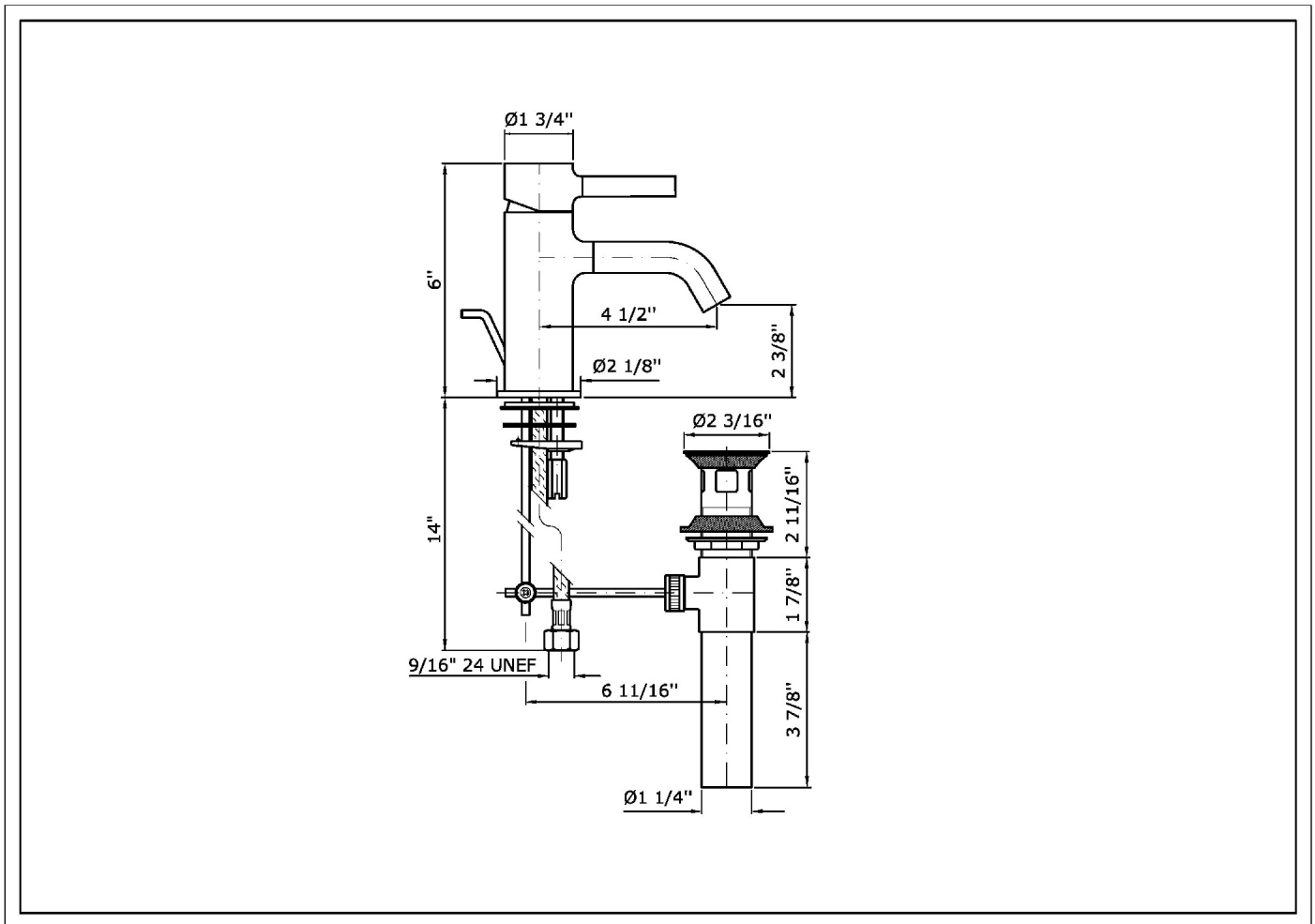
Single lever basin mixer with aerator, pop-up waste, flexible hoses. Spout projection 4 1/2". Water flow restricted to 1.2 GPM.

Finiture / Finishes

| | | | | | | |
|---|--|--|---|---|---|---|
|  |  C3 |  C8 |  C40 |  C41 |  C50 |  C51 |
| Chrome | Brushed Nickel | Polished Nickel | Gold | Brushed Gold | Metal Black | Brushed Metal Black |
|  W1 |  N1 |  N7 | | | | |
| Embossed Matt White | Embossed Matt Black | Soft Touch Black | | | | |

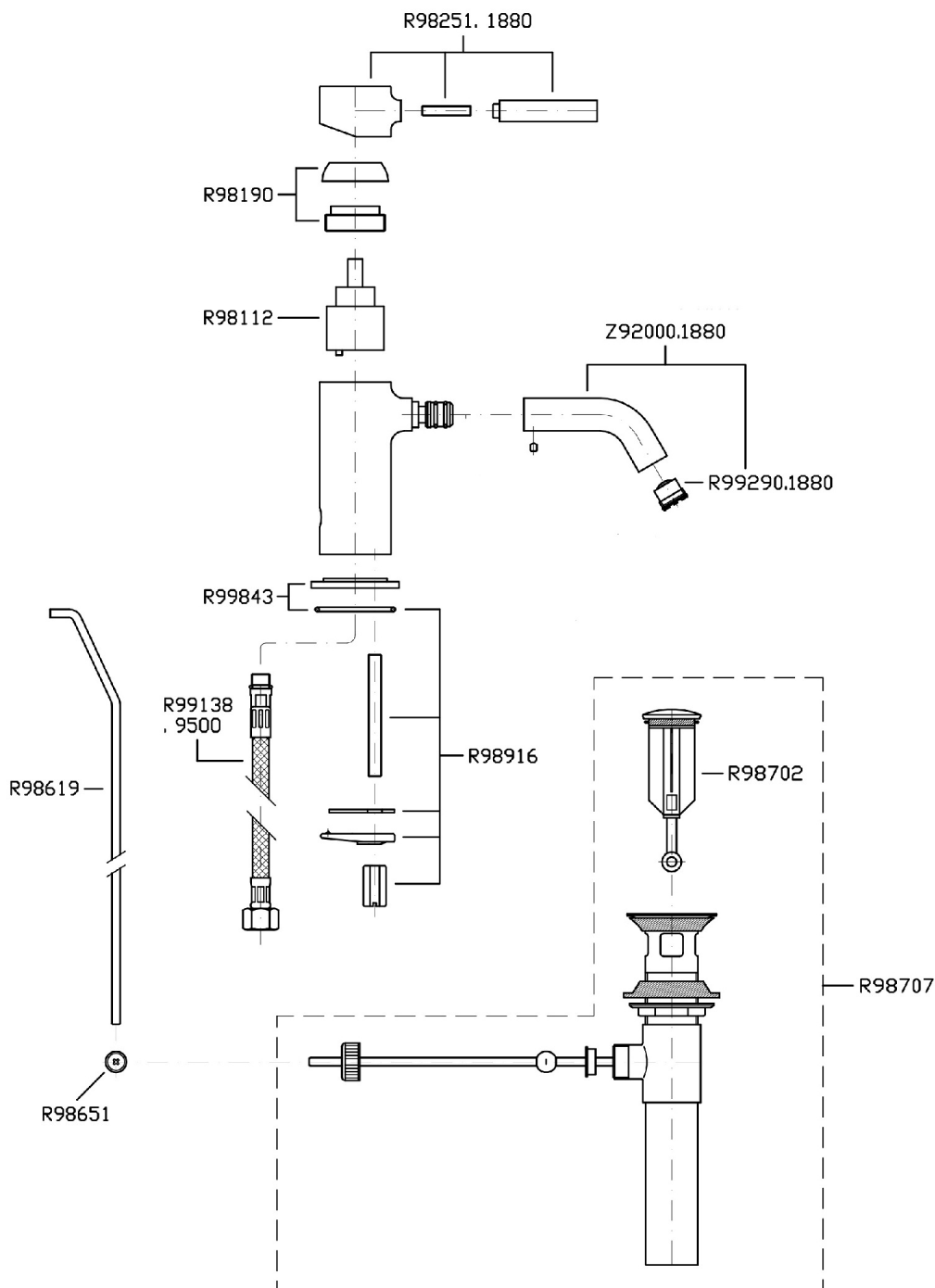
PAN

ZP6211.195E Disegno Complessivo / Overall Drawing



PAN

ZP6211.195E Esplosi / Exploded



Marchio / Brand ZUCCHETTI

PAN

PAN

ZP6211.195E Certificazioni / Certifications

USA

IAPMO

PAN

ZP6211.195E Pesì e Misure / Weights and Sizes

| | | |
|-------------------------------|---------------|----------------|
| Peso (Kg) Weight (lb) | 2,18 (Kg) | 4,81 (lb) |
| Volume test (dc3) - (in3) | 4,05 (dc3) | 247,15 (in3) |
| h (mm) - (in) | 70,00 (mm) | 2,76 (in) |
| L1 (mm) - (in) | 150,00 (mm) | 5,91 (in) |
| L2 (mm) - (in) | 385,00 (mm) | 15,16 (in) |

