

## ISY

ZP1617.190E

Built-in single lever basin mixer.



Built-in single lever basin mixer with aerator. Long spout.  
Spout projection 8 7/16".  
Water flow restricted to 1,2 GPM.

R99618.190E

Rough-in



## Finiture / Finishes



Chrome



Brushed Nickel

C3



Embossed Matt White

W1

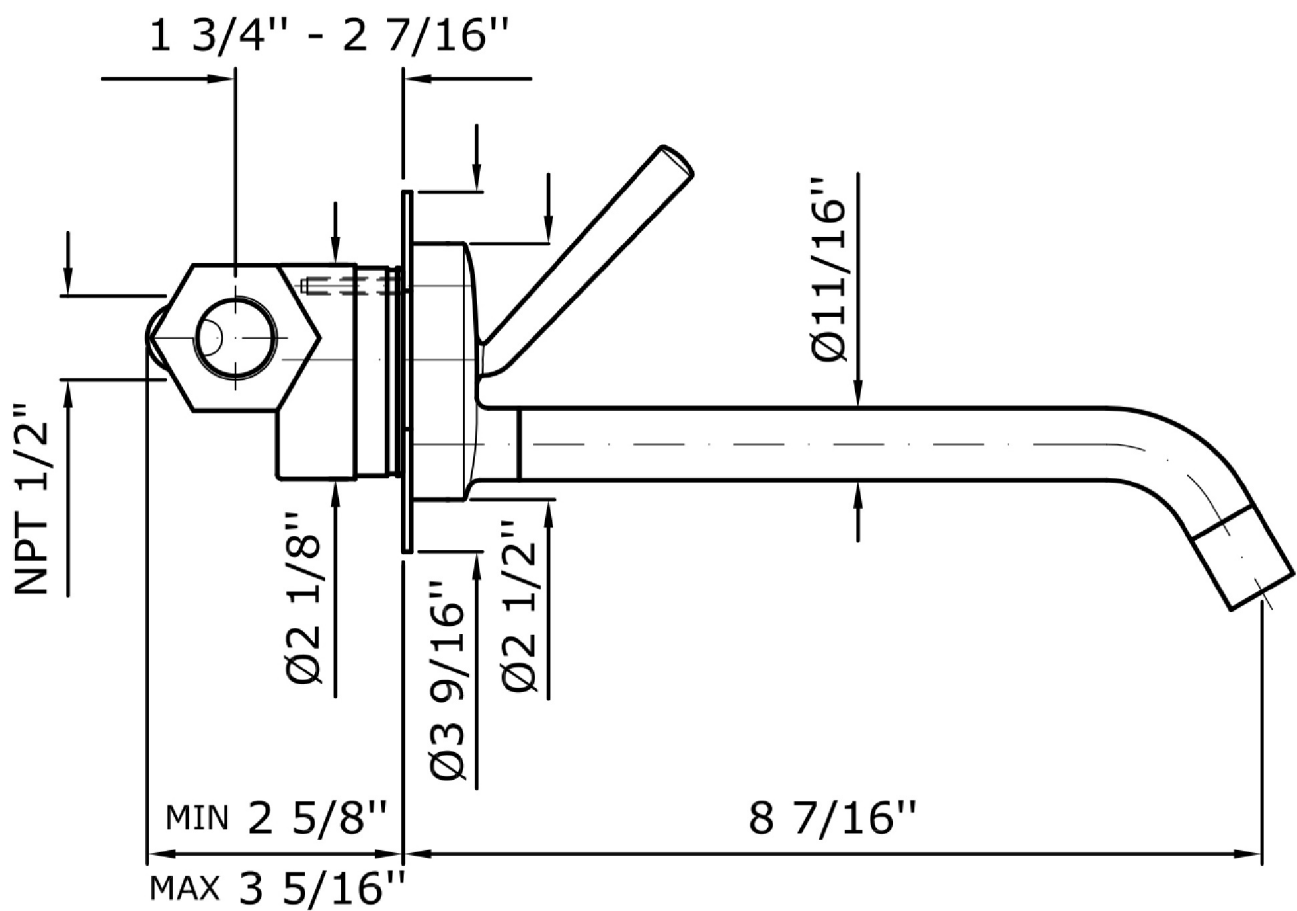


Embossed Matt Black

N1

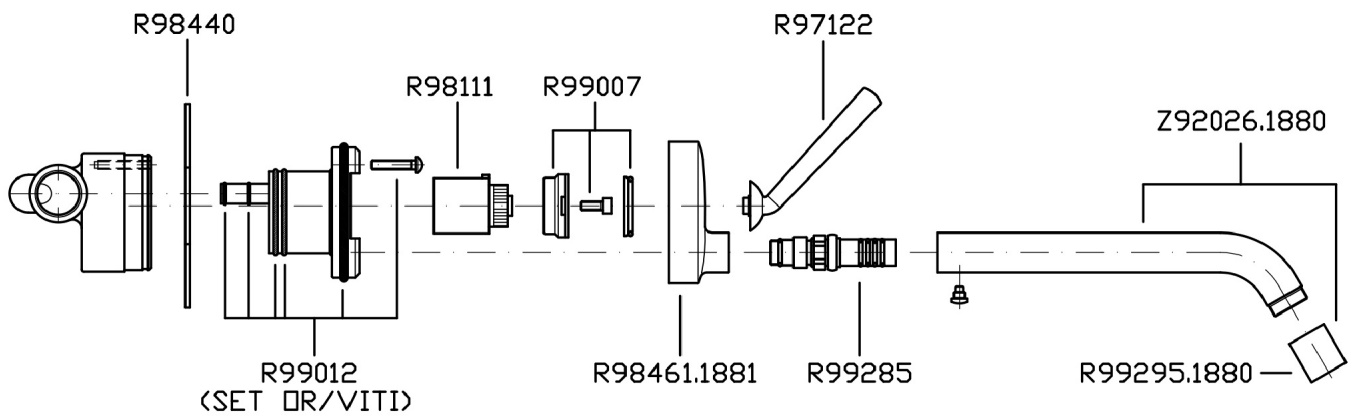
## ISY

ZP1617.190E Disegno Complessivo / Overall Drawing



## ISY

ZP1617.190E Esplosi / Exploded



Marchio / Brand ZUCCHETTI

Classe / Class

ISY

## ISY

ZP1617.190E Certificazioni / Certifications

USA

IAPMO

## ISY

ZP1617.190E Pesì e Misure / Weights and Sizes

Peso ( Kg ) Weight ( lb )	1,28 ( Kg )	2,821888 ( lb )
Volume ( dc3 ) - ( in3 )	7,43 ( dc3 )	0,000453 ( in3 )
h ( mm ) - ( in )	90 ( mm )	3,543309 ( in )
L1 ( mm ) - ( in )	250 ( mm )	9,842525 ( in )
L2 ( mm ) - ( in )	330 ( mm )	12,992133 ( in )

