

ISY

ZP1195.195E

Single lever basin mixer.



Single lever basin mixer, swivel spout with aerator, flexible hoses.
Spout projection 5".
Water flow restricted to 1,2 GPM

Finiture / Finishes



Chrome



Brushed Nickel

C3



Embossed Matt White

W1

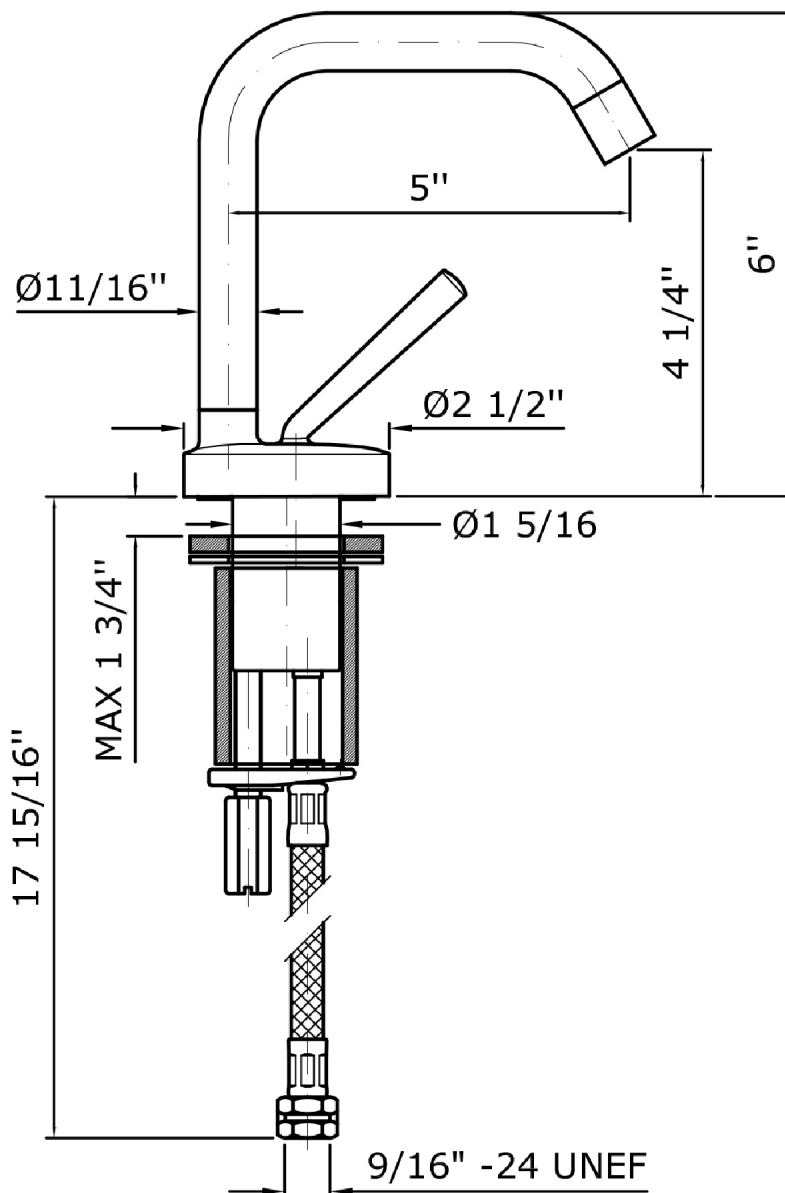


Embossed Matt Black

N1

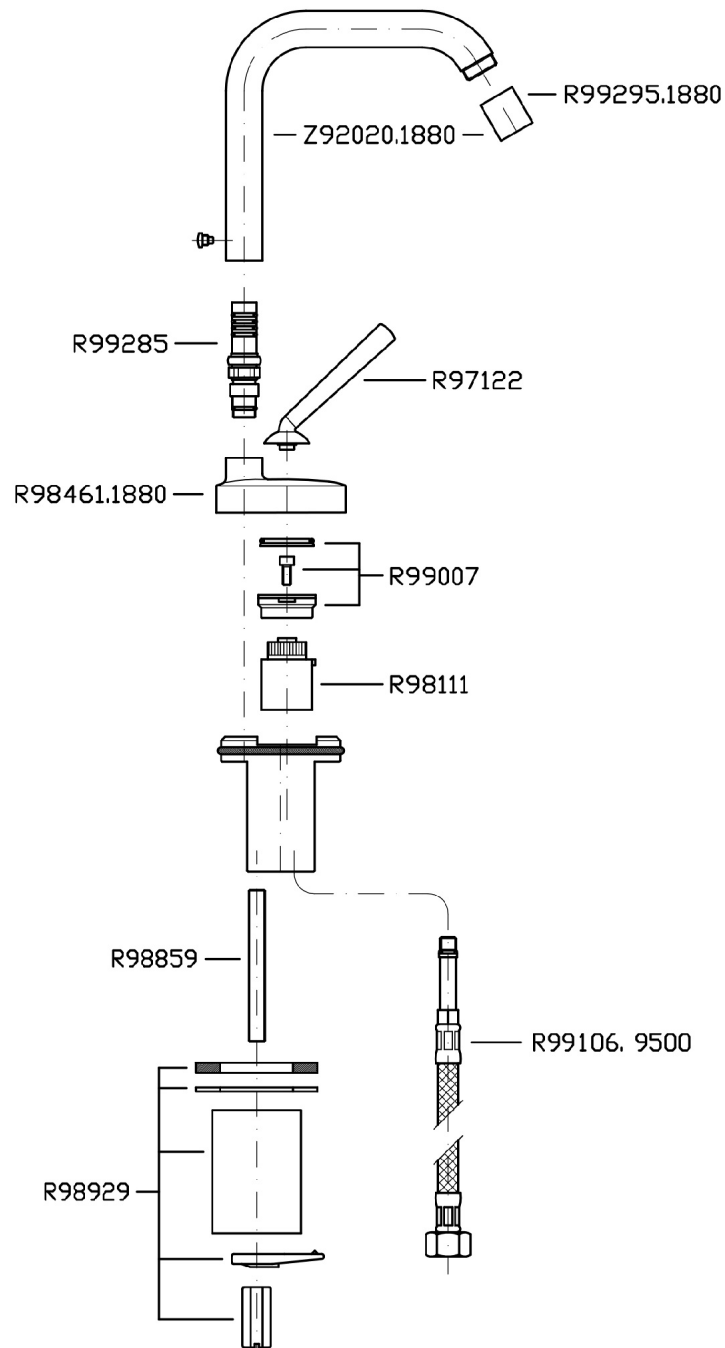
ISY

ZP1195.195E Disegno Complessivo / Overall Drawing



ISY

ZP1195.195E Esplosi / Exploded



ISY

ZP1195.195E Certificazioni / Certifications

USA

IAPMO

ISY

ZP1195.195E Pesì e Misure / Weights and Sizes

Peso (Kg) Weight (lb)	1,574 (Kg)	3,4700404 (lb)
Volume (dc3) - (in3)	7,43 (dc3)	0,000453 (in3)
h (mm) - (in)	90 (mm)	3,543309 (in)
L1 (mm) - (in)	250 (mm)	9,842525 (in)
L2 (mm) - (in)	330 (mm)	12,992133 (in)

