

## ON

ZON637.190E 2 hole built-in single lever basin mixer.



2 hole built-in single lever basin mixer with aerator. Spout projection 9. Water flow restricted to 1,3 GPM.

R99815.190E

Rough-in



## Finiture / Finishes



Chrome



Brushed Nickel

C3

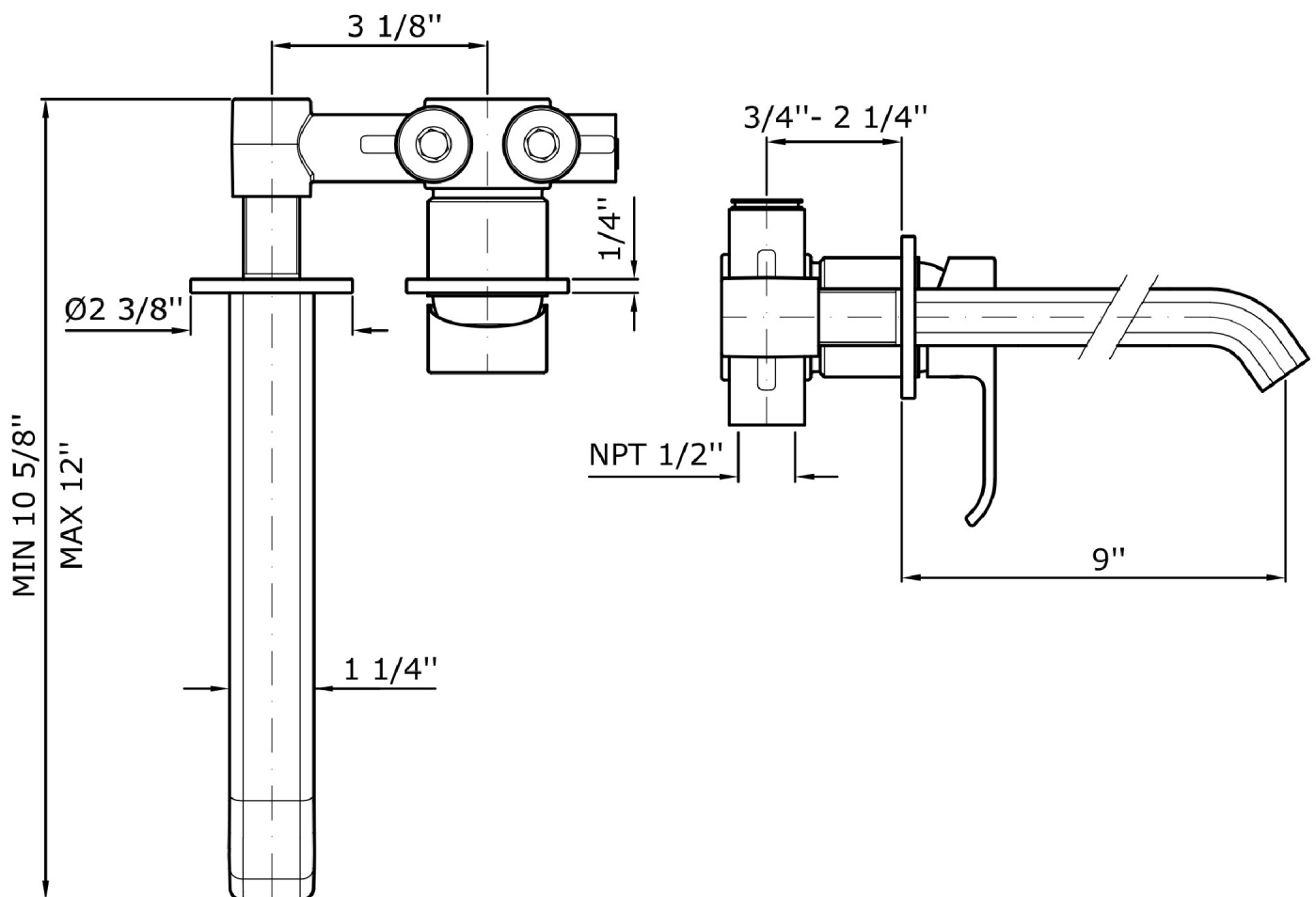


Polished Nickel

C8

## ON

ZON637.190E Disegno Complessivo / Overall Drawing



Marchio / Brand ZUCCHETTI

ON

**ON**

ZON637.190E Certificazioni / Certifications

USA

IAPMO

**ON**

ZON637.190E Pesì e Misure / Weights and Sizes

Peso ( Kg ) Weight ( lb )	1,60 ( Kg )	3,53 ( lb )
Volume test ( dc3 ) - ( in3 )	3,32 ( dc3 )	202,60 ( in3 )
h ( mm ) - ( in )	93,00 ( mm )	3,66 ( in )
L1 ( mm ) - ( in )	162,00 ( mm )	6,38 ( in )
L2 ( mm ) - ( in )	220,00 ( mm )	8,66 ( in )

