

ON

ZON636.190E 2 hole built-in single lever basin mixer.



2 hole built-in single lever basin mixer with aerator. Spout projection 6 7/8". Water flow restricted to 1,3 GPM.

R99815.190E

Rough-in



Finiture / Finishes



Chrome



Brushed Nickel

C3

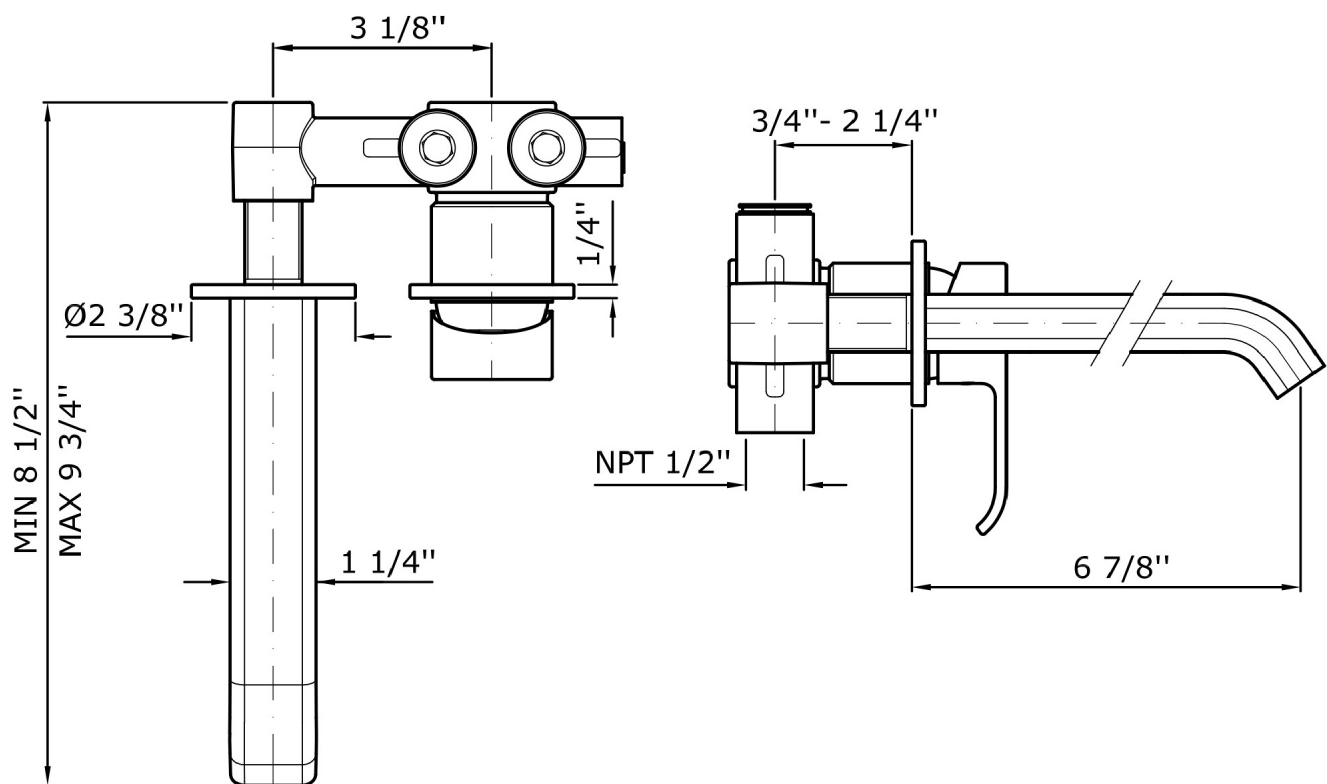


Polished Nickel

C8

ON

ZON636.190E Disegno Complessivo / Overall Drawing



Marchio / Brand ZUCCHETTI

ON

ON

ZON636.190E Certificazioni / Certifications

USA

IAPMO

ON

ZON636.190E Pesì e Misure / Weights and Sizes

Peso (Kg) Weight (lb)	1,37 (Kg)	3,02 (lb)
Volume test (dc3) - (in3)	3,32 (dc3)	202,60 (in3)
h (mm) - (in)	93,00 (mm)	3,66 (in)
L1 (mm) - (in)	162,00 (mm)	6,38 (in)
L2 (mm) - (in)	220,00 (mm)	8,66 (in)

