

ON

ZON596.195E Single lever basin mixer with extended spout.



Single lever basin mixer with extended spout, aerator, 1 ¼ pop-up waste, flexible tails. Spout projection 7". Water flow restricted

Finiture / Finishes



Chrome



Brushed Nickel

C3

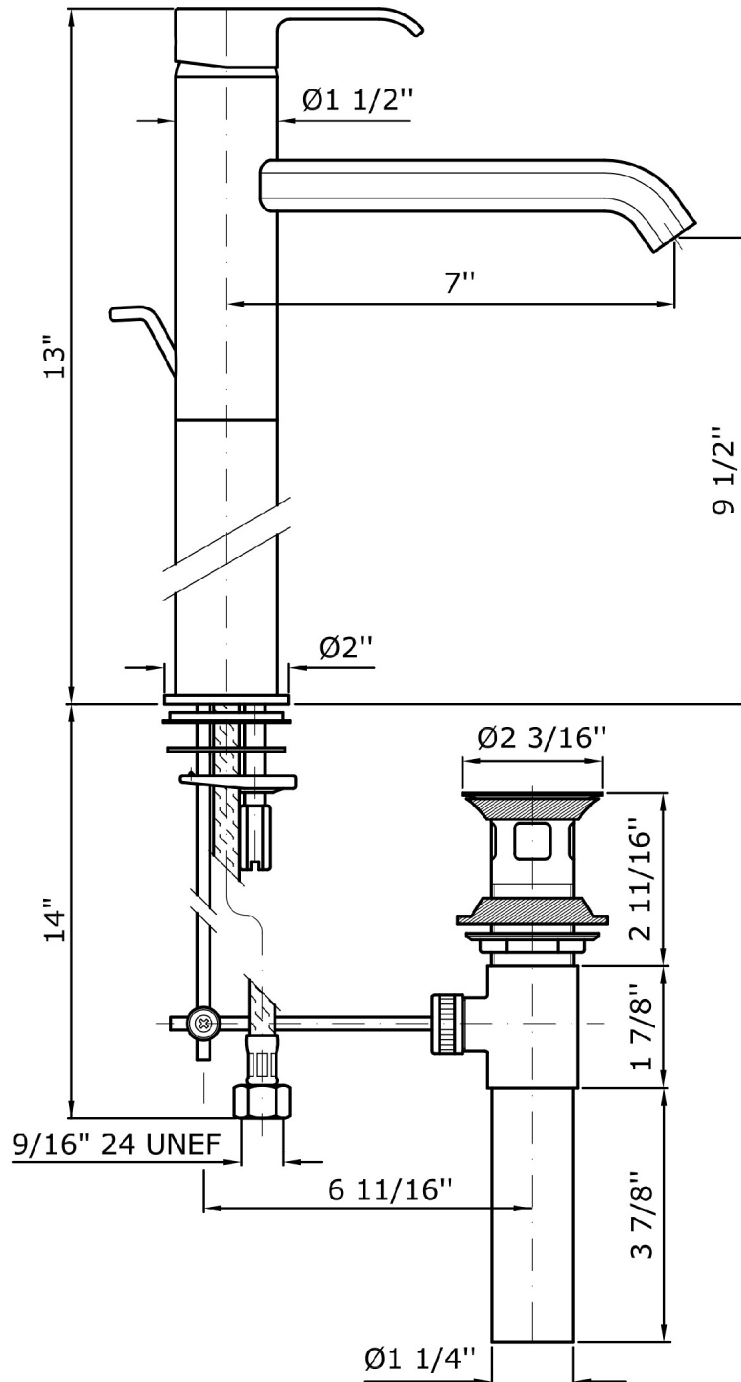


Polished Nickel

C8

ON

ZON596.195E Disegno Complessivo / Overall Drawing



ON

ZON596.195E Certificazioni / Certifications

USA

IAPMO

ON

ZON596.195E Pesì e Misure / Weights and Sizes

Peso (Kg) Weight (lb)	3,40 (Kg)	7,50 (lb)
Volume test (dc3) - (in3)	7,50 (dc3)	457,68 (in3)
h (mm) - (in)	90,00 (mm)	3,54 (in)
L1 (mm) - (in)	250,00 (mm)	9,84 (in)
L2 (mm) - (in)	333,00 (mm)	13,11 (in)

