

ON

ZON595.195E Single lever basin mixer.



Single lever basin mixer with aerator, 1 ¼" pop-up waste, flexible tails. Spout projection 4 1/2". Water flow restricted to 1,2 GPM

Finiture / Finishes



Chrome



Brushed Nickel

C3

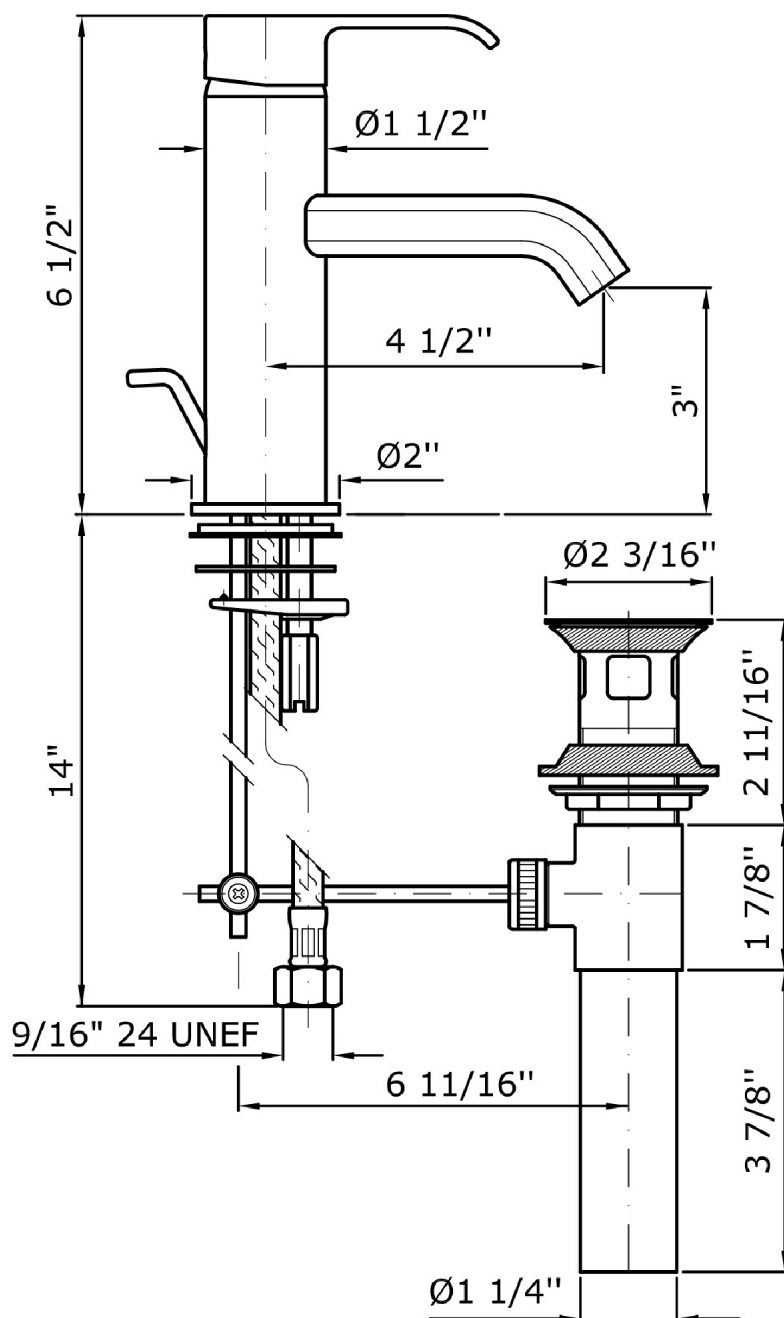


Polished Nickel

C8

ON

ZON595.195E Disegno Complessivo / Overall Drawing



Marchio / Brand ZUCCHETTI

ON

ON

ZON595.195E Certificazioni / Certifications

USA

IAPMO

ON

ZON595.195E Pesì e Misure / Weights and Sizes

Peso (Kg) Weight (lb)	2,20 (Kg)	4,85 (lb)
Volume test (dc3) - (in3)	4,05 (dc3)	247,15 (in3)
h (mm) - (in)	70,00 (mm)	2,76 (in)
L1 (mm) - (in)	150,00 (mm)	5,91 (in)
L2 (mm) - (in)	385,00 (mm)	15,16 (in)

