

Brand ZUCCHETTI

Class

NUDE

NUDE

ZNU668.190E 3 hole built-in basin mixer.



3 hole built-in basin mixer, with aerator.
Spout projection 9".
Water flow restricted to 1,2 GPM

R99500.190E

Assembled rough-in part, interaxe 8"



Finishes



Chrome



Metal Black

C50



PVD Rose Gold

P70

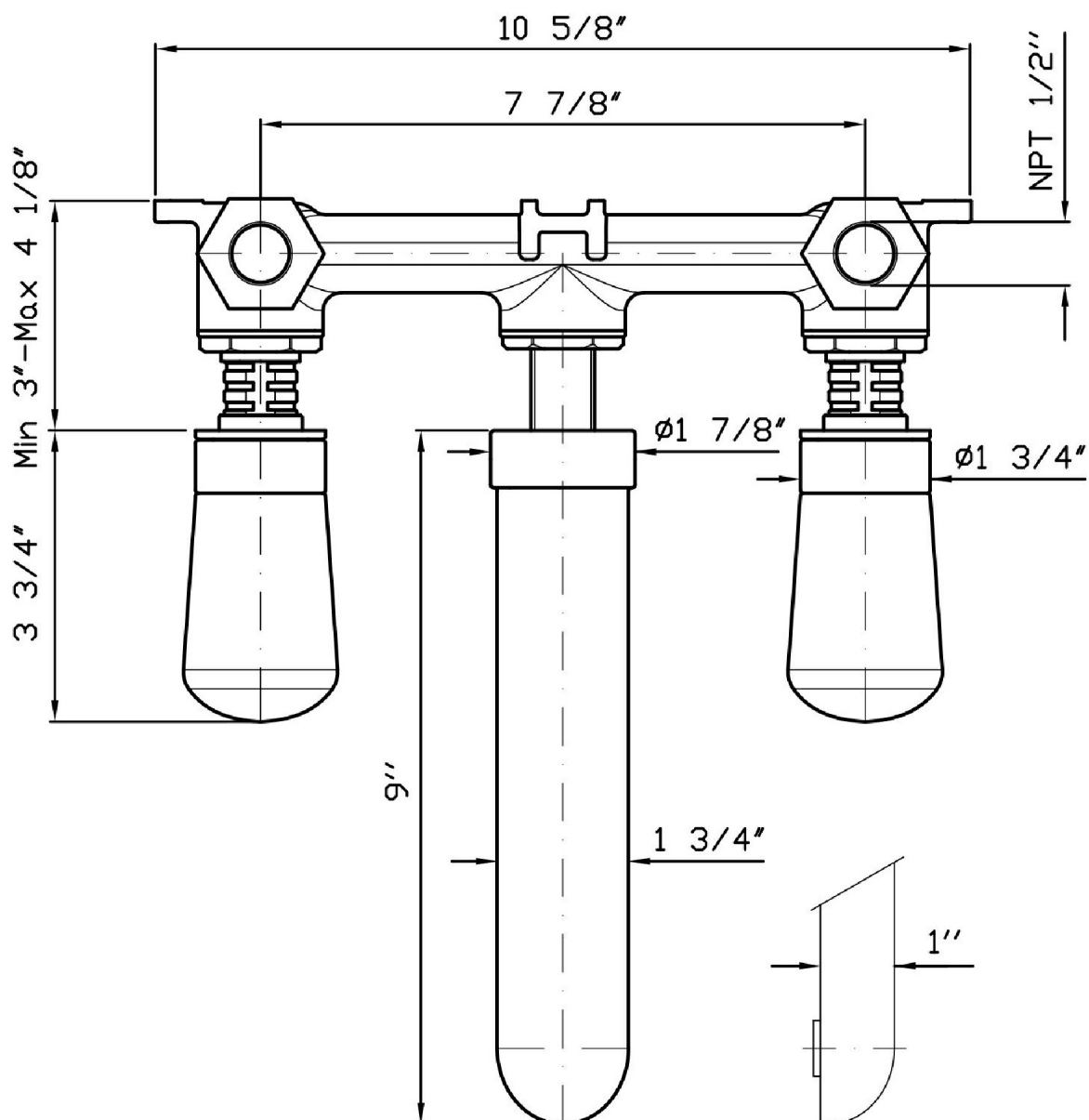
Brand ZUCCHETTI

Class

NUDE

NUDE

ZNU668.190E Overall Drawing



Brand ZUCCHETTI

Class

NUDE

NUDE

ZNU668.190E Weights and Sizes

Weight (lb)	2,5 (Kg)	5,5115 (lb)
Volume (dc3) - (in3)	7,425 (dc3)	0,000453 (in3)
h (mm) - (in)	90 (mm)	3,543309 (in)
L1 (mm) - (in)	250 (mm)	9,842525 (in)
L2 (mm) - (in)	330 (mm)	12,992133 (in)

