

NUDE

ZNU393.195E 3 hole basin mixer.



3 hole basin mixer with aerator, pop-up waste, flexible hoses.
Spout projection 4 1/2".
Water flow restricted to 1,2 GPM.

Finiture / Finishes



Chrome



Metal Black

C50

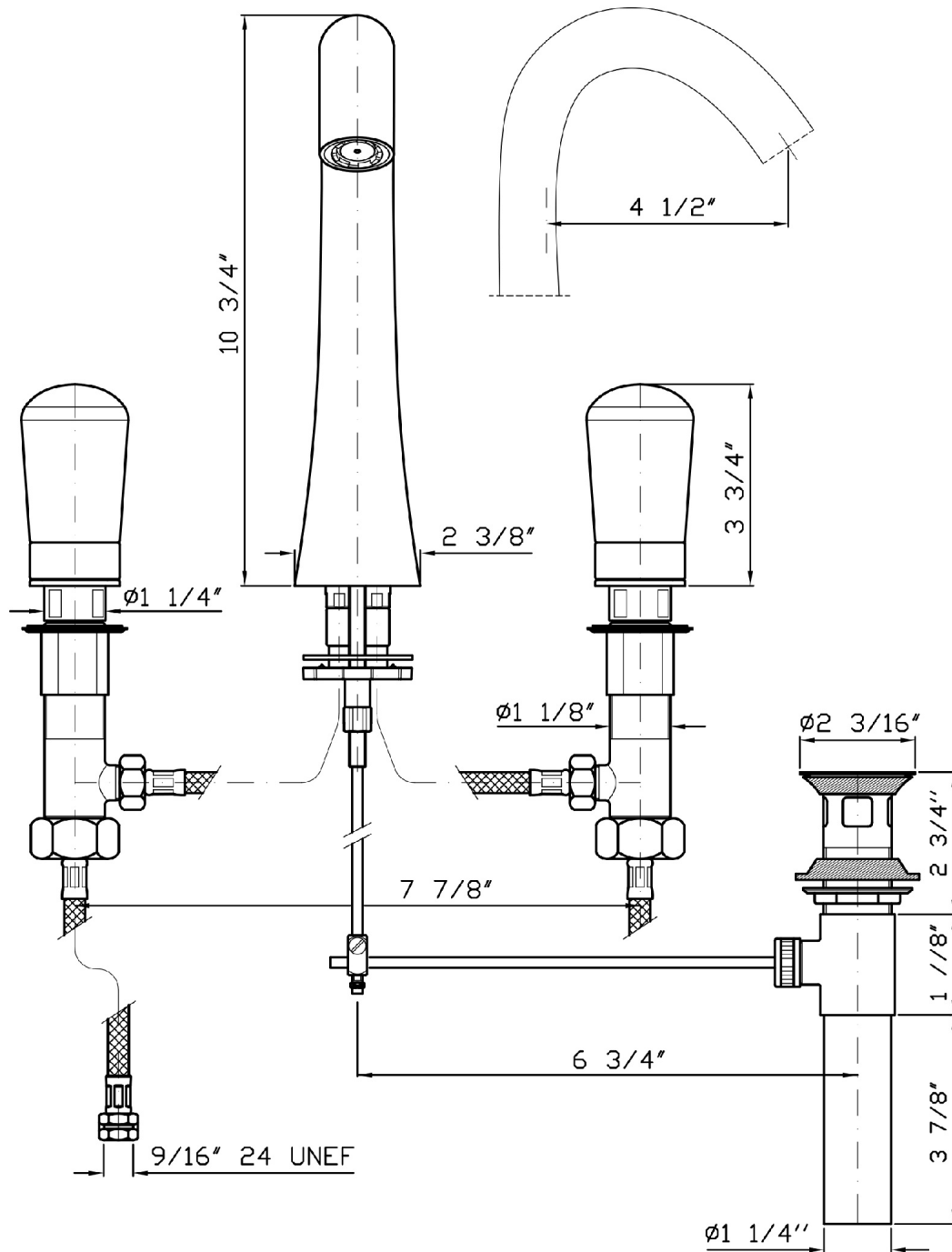


PVD Rose Gold

P70

NUDE

ZNU393.195E Disegno Complessivo / Overall Drawing



NUDE

ZNU393.195E Pesì e Misure / Weights and Sizes

Peso (Kg) Weight (lb)	4,326 (Kg)	9,5370996 (lb)
Volume (dc3) - (in3)	15,98 (dc3)	0,000975 (in3)
h (mm) - (in)	90 (mm)	3,543309 (in)
L1 (mm) - (in)	335 (mm)	13,1889835 (in)
L2 (mm) - (in)	530 (mm)	20,866153 (in)

