

JINGLE


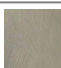
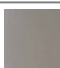
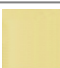
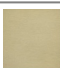

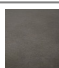


ZIN692.195E

Single lever basin mixer with extended spout.



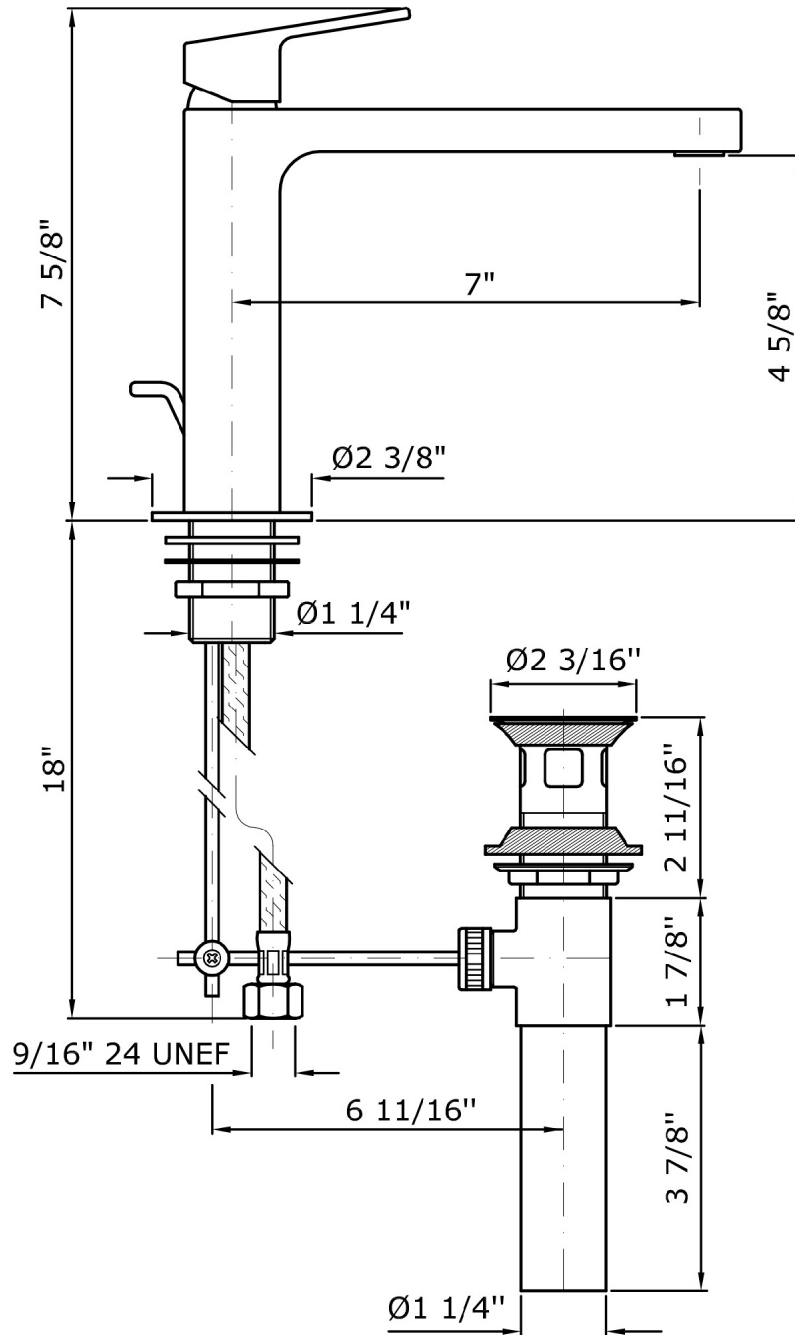
Single lever basin mixer with aerator, pop-up waste, flexible hoses. Version with extended spout. Spout projection 7". Water flow

Finiture / Finishes

		C3		C8		C40		C41		C50		C51
Chrome	Brushed Nickel		Polished Nickel		Gold		Brushed Gold		Metal Black		Brushed Metal Black	
	W1		N1									
Embossed Matt White		Embossed Matt Black										

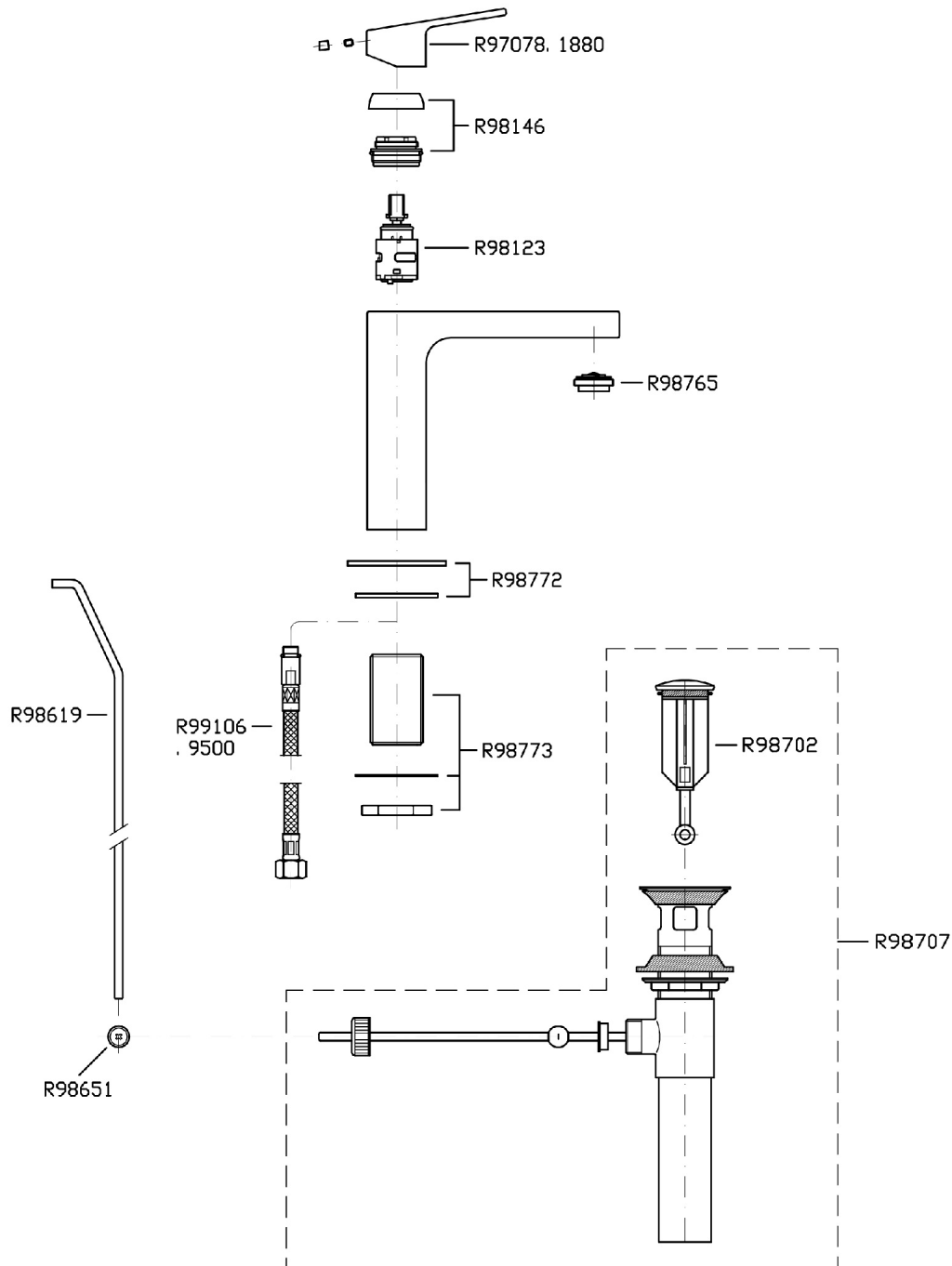
JINGLE

ZIN692.195E Disegno Complessivo / Overall Drawing



JINGLE

ZIN692.195E Esplosi / Exploded



Marchio / Brand ZUCCHETTI

JINGLE

JINGLE

ZIN692.195E Certificazioni / Certifications

USA

IAPMO

JINGLE

ZIN692.195E Pesì e Misure / Weights and Sizes

Peso (Kg) Weight (lb)	2,68 (Kg)	5,91 (lb)
Volume test (dc3) - (in3)	11,01 (dc3)	671,87 (in3)
h (mm) - (in)	90,00 (mm)	3,54 (in)
L1 (mm) - (in)	335,00 (mm)	13,19 (in)
L2 (mm) - (in)	365,00 (mm)	14,37 (in)

