


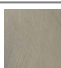
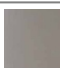
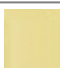
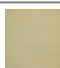
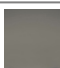
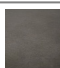


JINGLE

ZIN690.195E Single lever basin mixer.



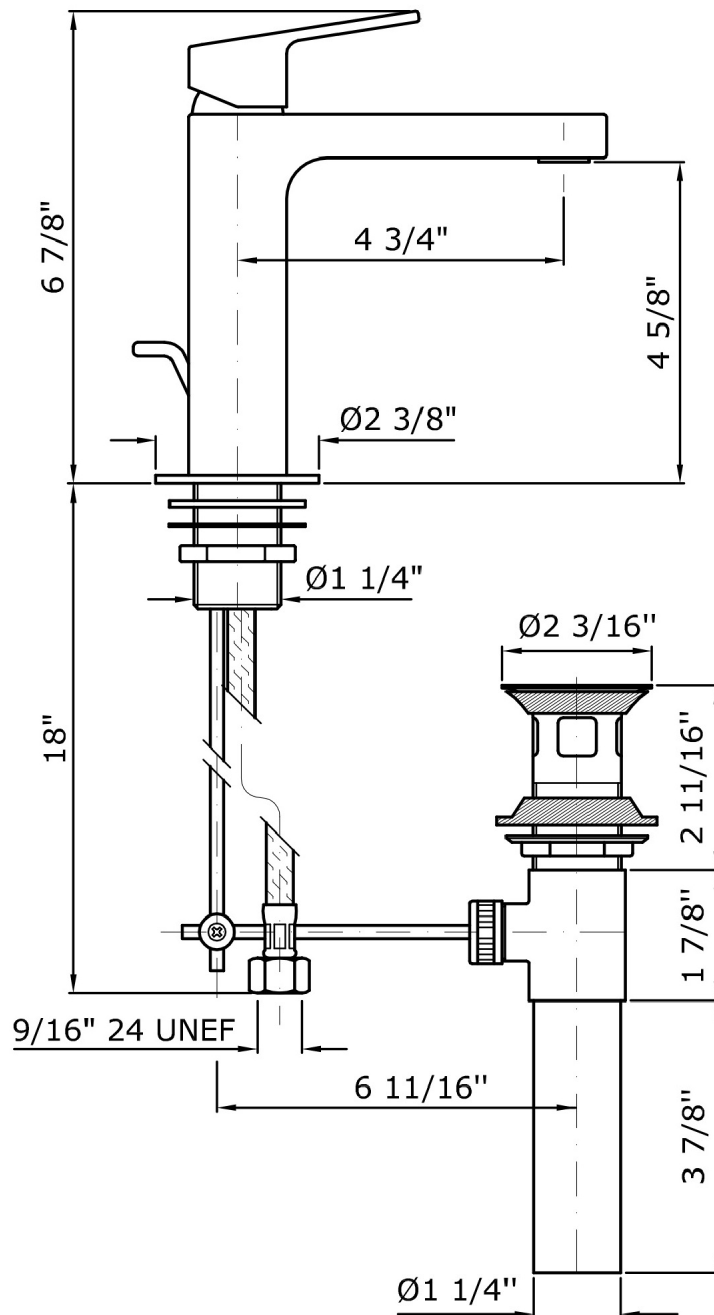
Single lever basin mixer with aerator, pop-up waste, flexible hoses. Spout projection 4 3/4". Water flow restricted to 1 GPM.

Finiture / Finishes

		C3		C8		C40		C41		C50		C51
Chrome	Brushed Nickel		Polished Nickel		Gold		Brushed Gold		Metal Black		Brushed Metal Black	
	W1		N1									
Embossed Matt White		Embossed Matt Black										

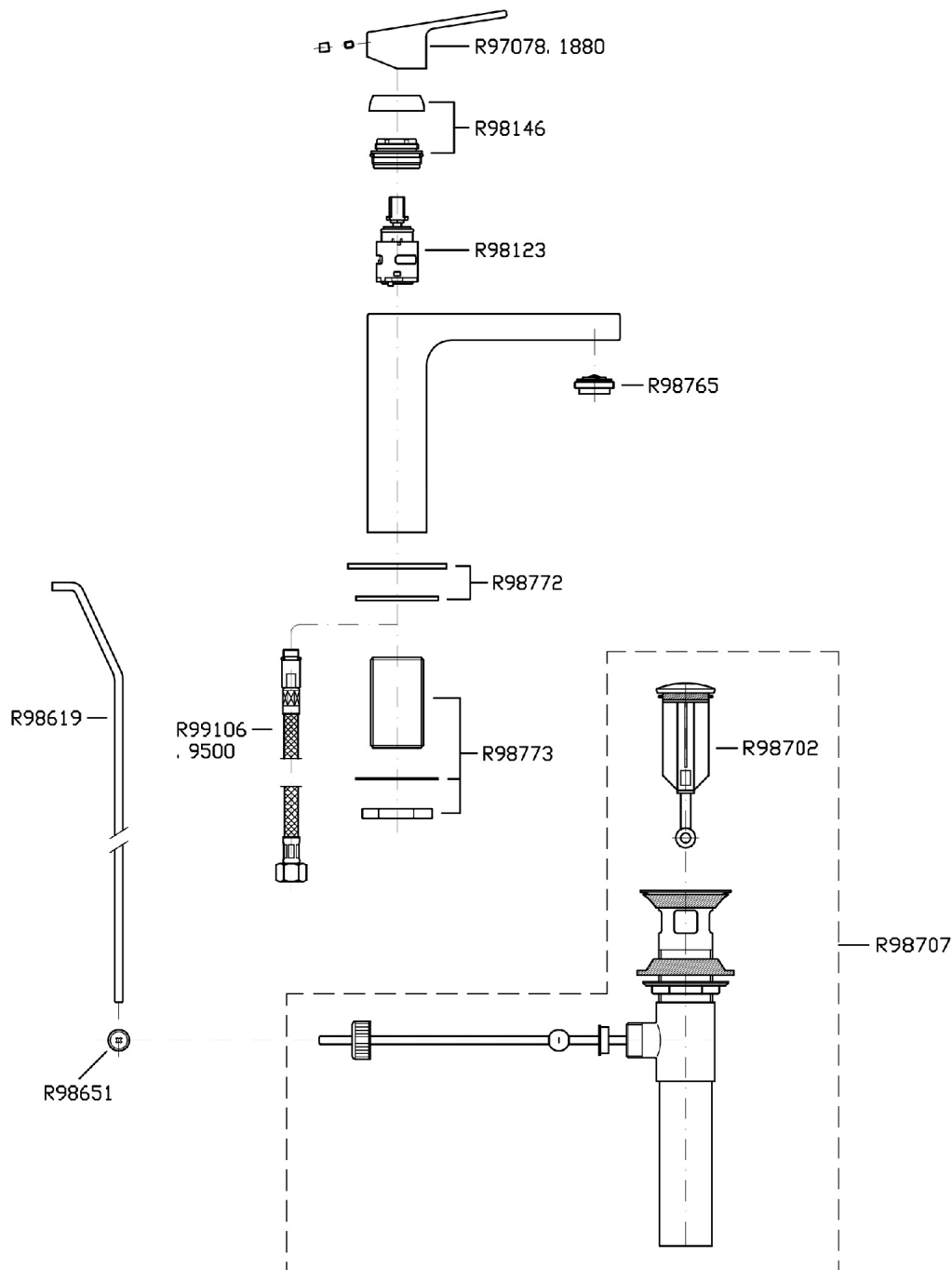
JINGLE

ZIN690.195E Disegno Complessivo / Overall Drawing



JINGLE

ZIN690.195E Esplosi / Exploded



Marchio / Brand ZUCCHETTI

JINGLE

JINGLE

ZIN690.195E

Certificazioni / Certifications

USA

IAPMO

JINGLE

ZIN690.195E

Pesi e Misure / Weights and Sizes

Peso (Kg) Weight (lb)	2,21 (Kg)	4,87 (lb)
Volume test (dc3) - (in3)	4,05 (dc3)	247,15 (in3)
h (mm) - (in)	70,00 (mm)	2,76 (in)
L1 (mm) - (in)	150,00 (mm)	5,91 (in)
L2 (mm) - (in)	385,00 (mm)	15,16 (in)

