

Marchio / Brand ZUCCHETTI

JINGLE

## JINGLE

ZIN634.190E

Built-in single lever basin mixer.




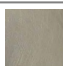


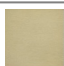
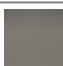
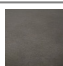


Built-in single lever basin mixer with aerator. Spout projection 7 3/4". Water flow restricted to 1,2 GPM.

R99815.190E

Rough-in

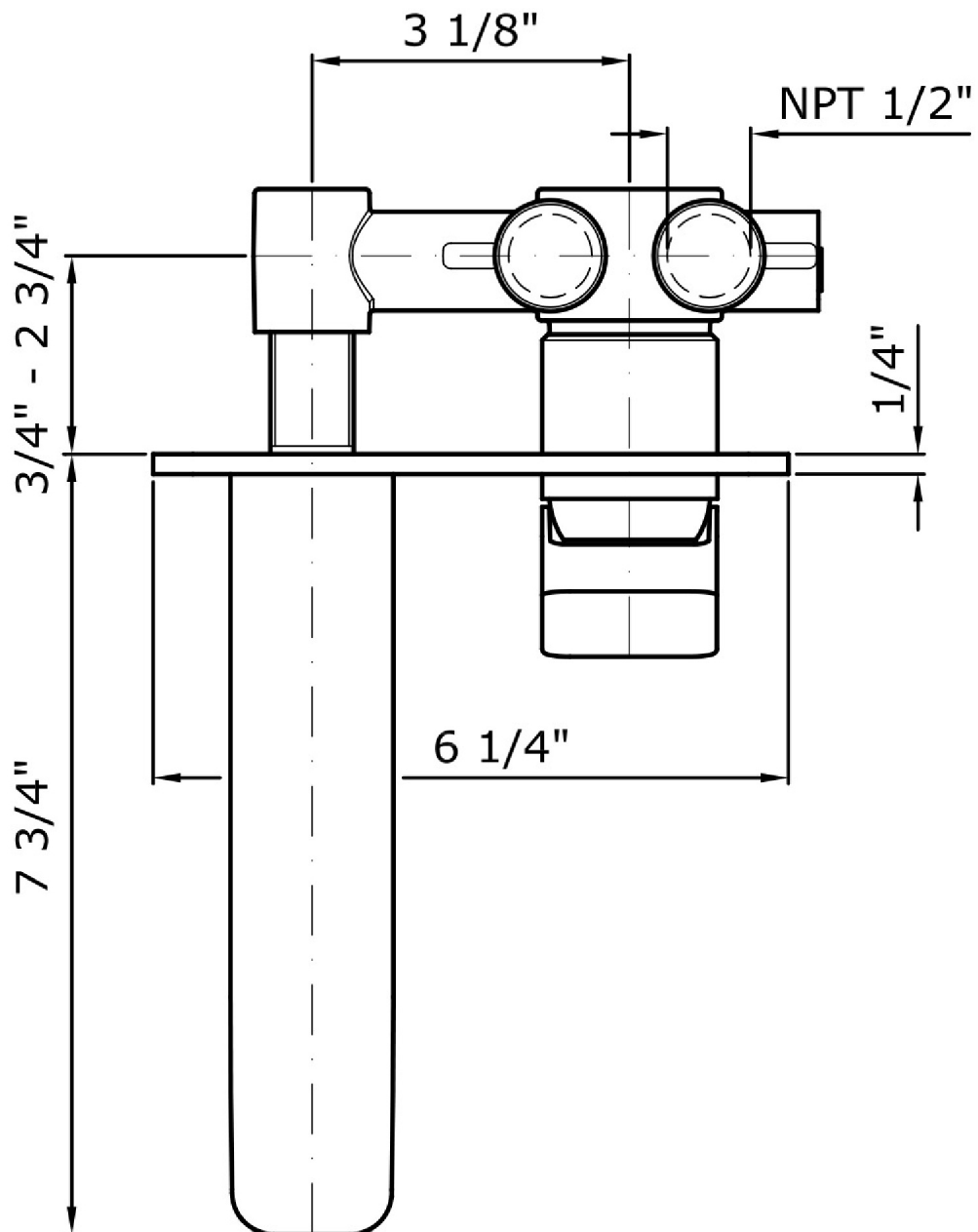


### Finiture / Finishes

	 C3	 C8	 C40	 C41	 C50	 C51
Chrome	Brushed Nickel	Polished Nickel	Gold	Brushed Gold	Metal Black	Brushed Metal Black
 W1	 N1					
Embossed Matt White	Embossed Matt Black					

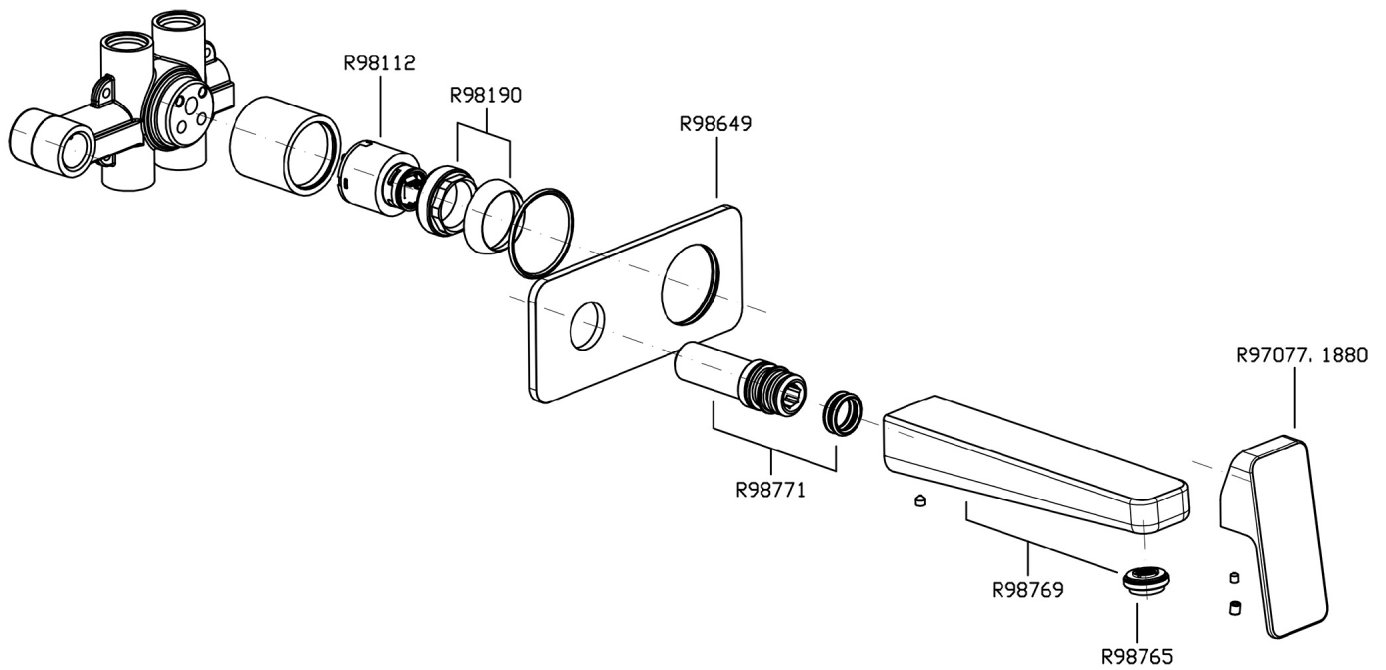
## JINGLE

ZIN634.190E Disegno Complessivo / Overall Drawing



## JINGLE

ZIN634.190E      Esplosi / Exploded



## JINGLE

ZIN634.190E

Certificazioni / Certifications

USA

IAPMO

## JINGLE

ZIN634.190E

Pesi e Misure / Weights and Sizes

Peso ( Kg ) Weight ( lb )	1,57 ( Kg )	3,46 ( lb )
Volume test ( dc3 ) - ( in3 )	3,32 ( dc3 )	202,60 ( in3 )
h ( mm ) - ( in )	93,00 ( mm )	3,66 ( in )
L1 ( mm ) - ( in )	162,00 ( mm )	6,38 ( in )
L2 ( mm ) - ( in )	220,00 ( mm )	8,66 ( in )

