

ISY

ZD4437.195E

3 hole basin mixer.



3 hole basin mixer, fixed spout with antispash, flexible hoses.
Spout projection 7 1/4".
Water flow restricted to 1 GPM.

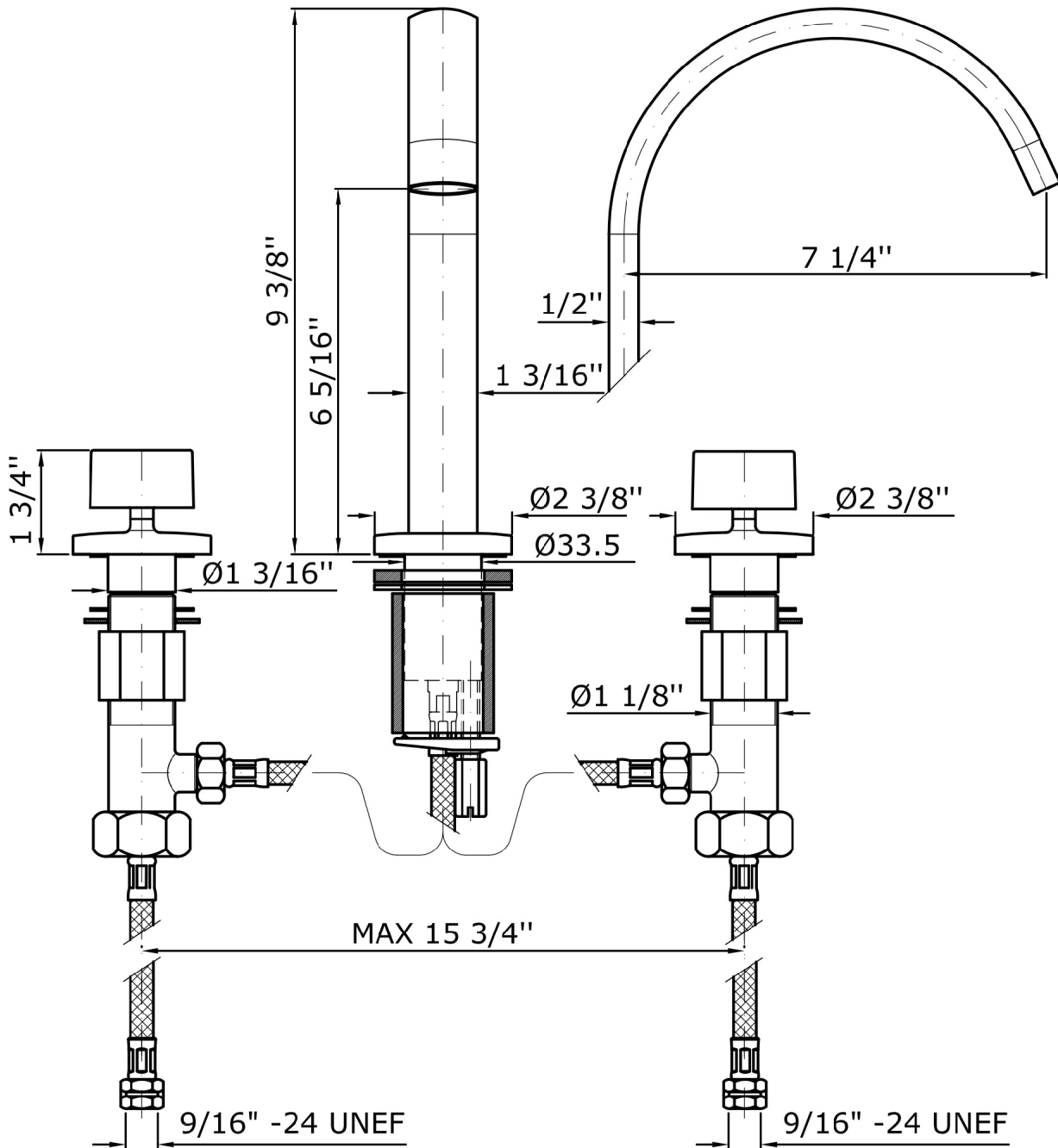
Finiture / Finishes



Chrome

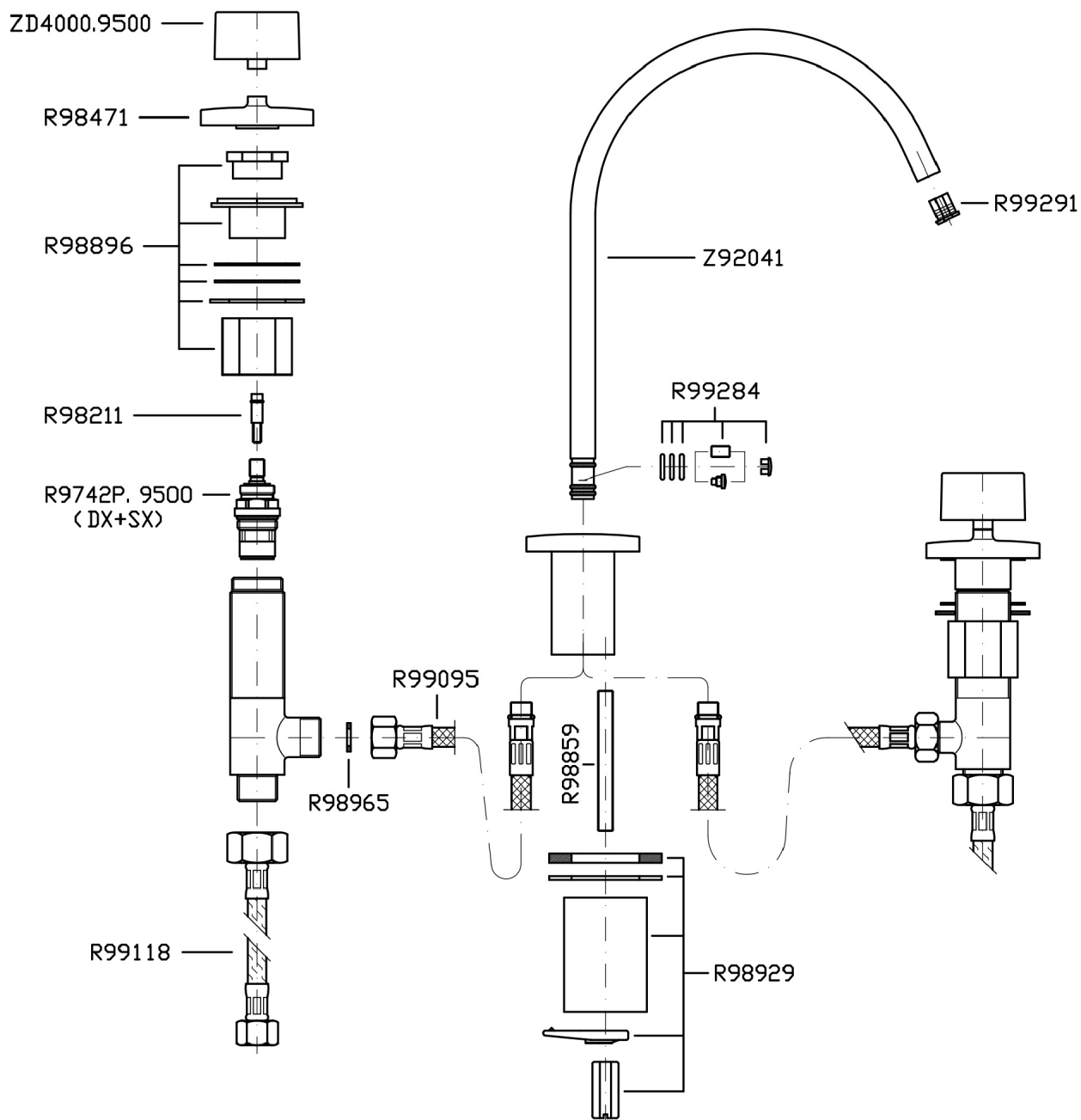
ISY

ZD4437.195E Disegno Complessivo / Overall Drawing



ISY

ZD4437.195E Esplosi / Exploded



Marchio / Brand ZUCCHETTI

Classe / Class

ISY

ISY

ZD4437.195E Certificazioni / Certifications

USA

IAPMO

ISY

ZD4437.195E Pesì e Misure / Weights and Sizes

Peso (Kg) Weight (lb)	3,158 (Kg)	6,9621268 (lb)
Volume (dc3) - (in3)	7,43 (dc3)	0,000453 (in3)
h (mm) - (in)	90 (mm)	3,543309 (in)
L1 (mm) - (in)	250 (mm)	9,842525 (in)
L2 (mm) - (in)	330 (mm)	12,992133 (in)

