

Brand ZUCCHETTI

Class

CLOSER

CLOSER

ZCL671.190E Built-in single lever basin mixer.



Built-in single lever basin mixer with aerator.
Spout projection 8 3/4".
Water flow restricted to 1,2 GPM.

R99618.190E

Rough-in



Finishes



Chrome



Soft Touch Black

N7

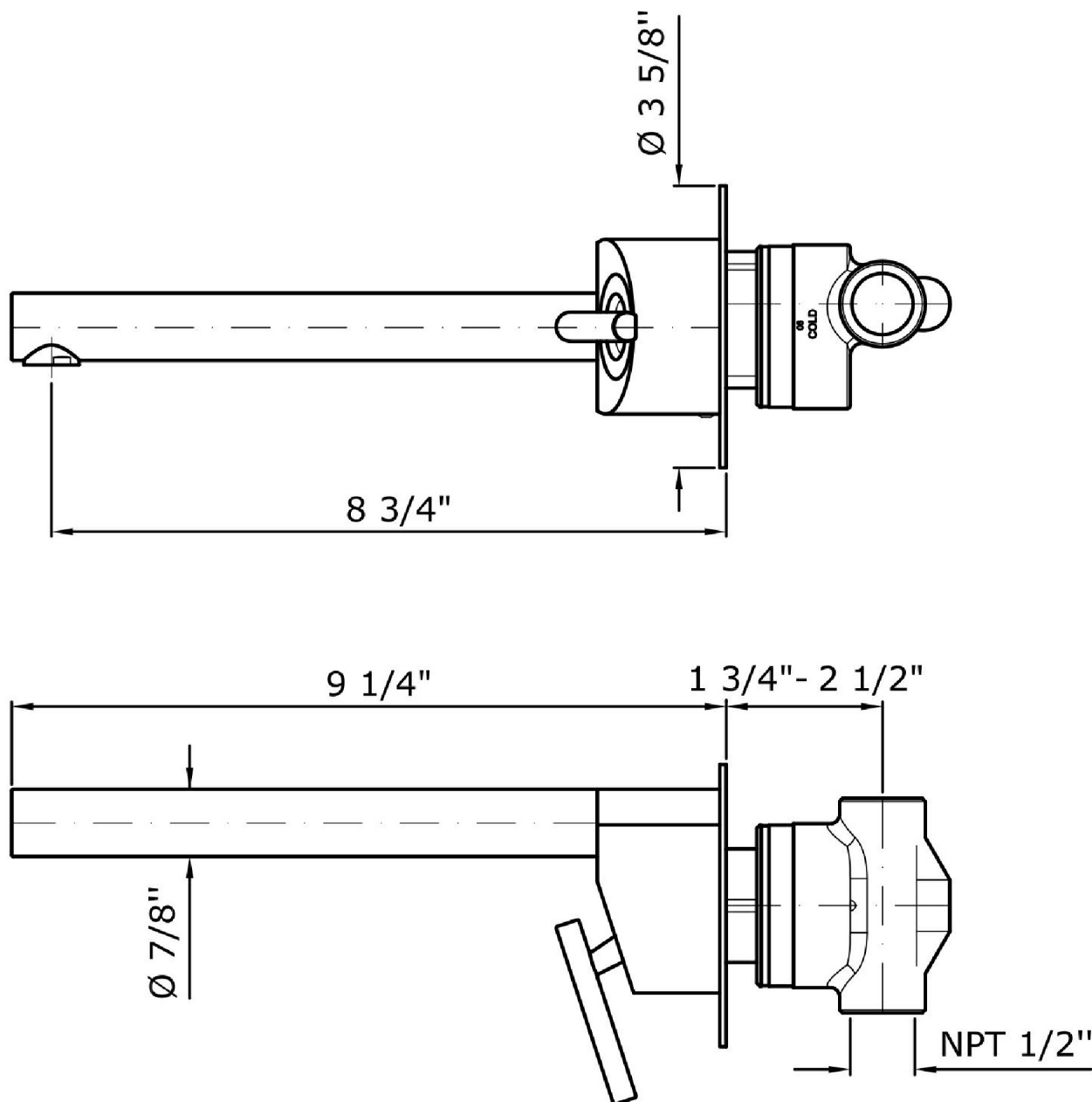
Brand ZUCCHETTI

Class

CLOSER

CLOSER

ZCL671.190E Overall Drawing



Brand ZUCCHETTI

Class

CLOSER

CLOSER

ZCL671.190E Weights and Sizes

Weight (lb)	1,85 (Kg)	4,07851 (lb)
Volume (dc3) - (in3)	7,5 (dc3)	0,000458 (in3)
h (mm) - (in)	90 (mm)	3,543309 (in)
L1 (mm) - (in)	250 (mm)	9,842525 (in)
L2 (mm) - (in)	333 (mm)	13,1102433 (in)

