

Brand ZUCCHETTI

Class BELLAGIO

BELLAGIO

ZB1729.1900 Wall valve.



½" wall valve.

R99779.1900

Rough-in



Finishes

		C3		C8		C40		C41
Chrome	Brushed Nickel		Polished Nickel		Gold		Brushed Gold	

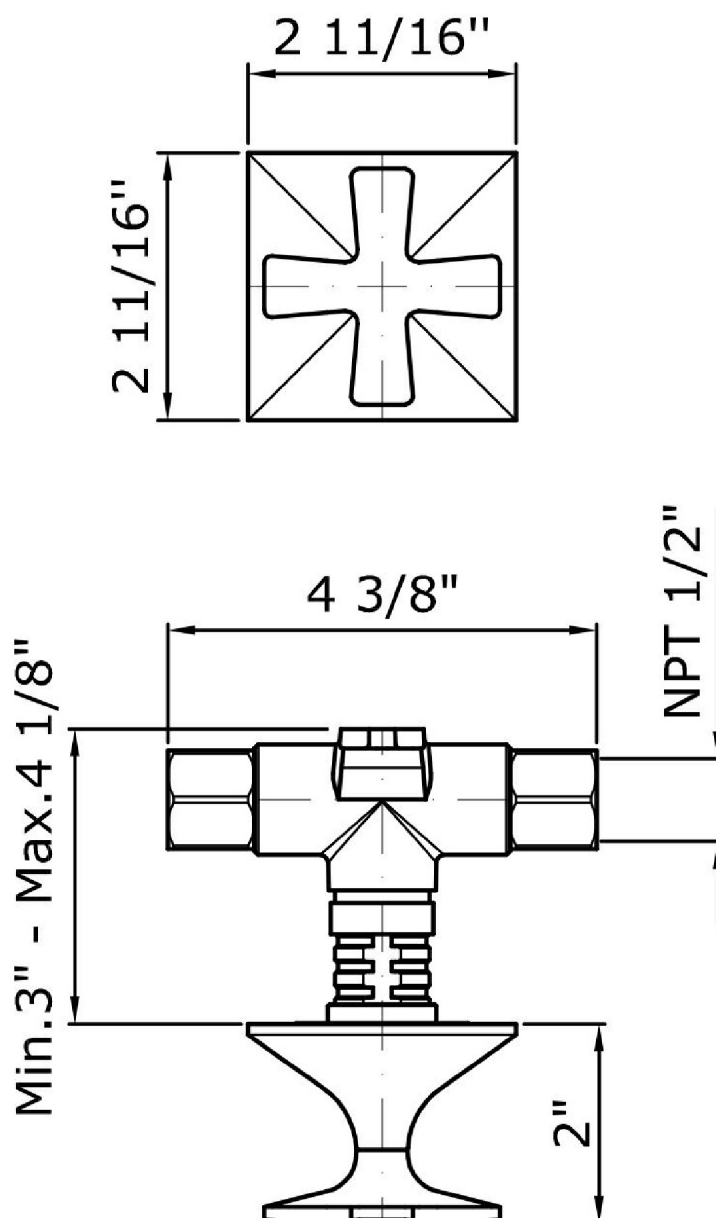
Brand ZUCCHETTI

Class

BELLAGIO

BELLAGIO

ZB1729.1900 Overall Drawing



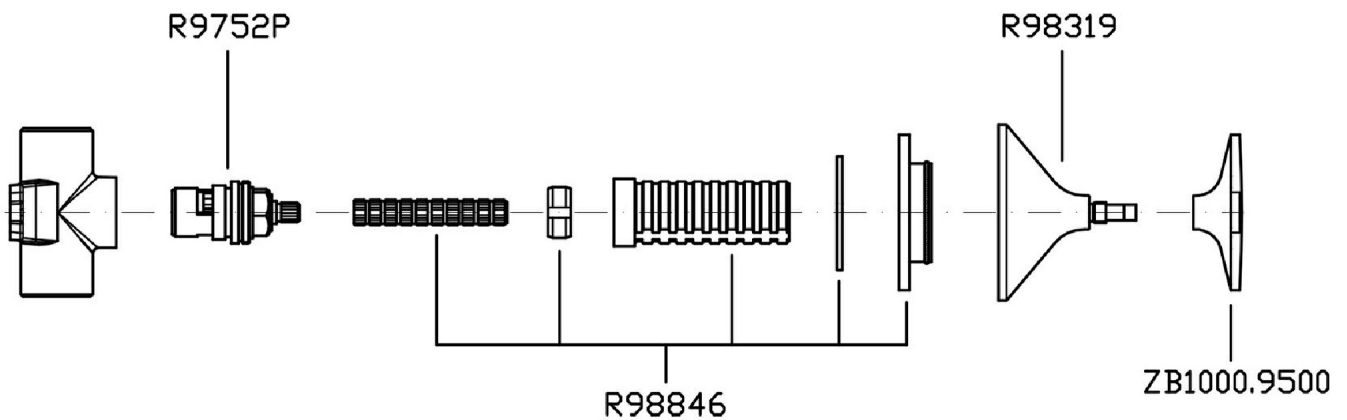
Brand ZUCCHETTI

Class

BELLAGIO

BELLAGIO

ZB1729.1900 Exploded



Brand ZUCCHETTI

Class

BELLAGIO

BELLAGIO

ZB1729.1900 Certifications

USA

IAPMO

BELLAGIO

ZB1729.1900 Weights and Sizes

Weight (lb)	0,94 (Kg)	2,072324 (lb)
Volume (dc3) - (in3)	3,3 (dc3)	0,000201 (in3)
h (mm) - (in)	93 (mm)	3,6614193 (in)
L1 (mm) - (in)	162 (mm)	6,3779562 (in)
L2 (mm) - (in)	220 (mm)	8,661422 (in)

