

Brand ZUCCHETTI

Class

AGORÀ

## AGORÀ

ZAM646.1900

Built-in thermostatic shower mixer and 2/3 way diverter.



1/2" built-in thermostatic shower mixer and 2/3 way diverter with water on/off function.  
5,2 GPM @ 43,5 PSI

R97810.1900

Rough-in \_ 2 way thermostatic mixer



R97815.1900

Rough-in \_ 3 way thermostatic mixer



## Finishes



Chrome



Polished Nickel

C8



Gold

C40



Brushed Gold

C41

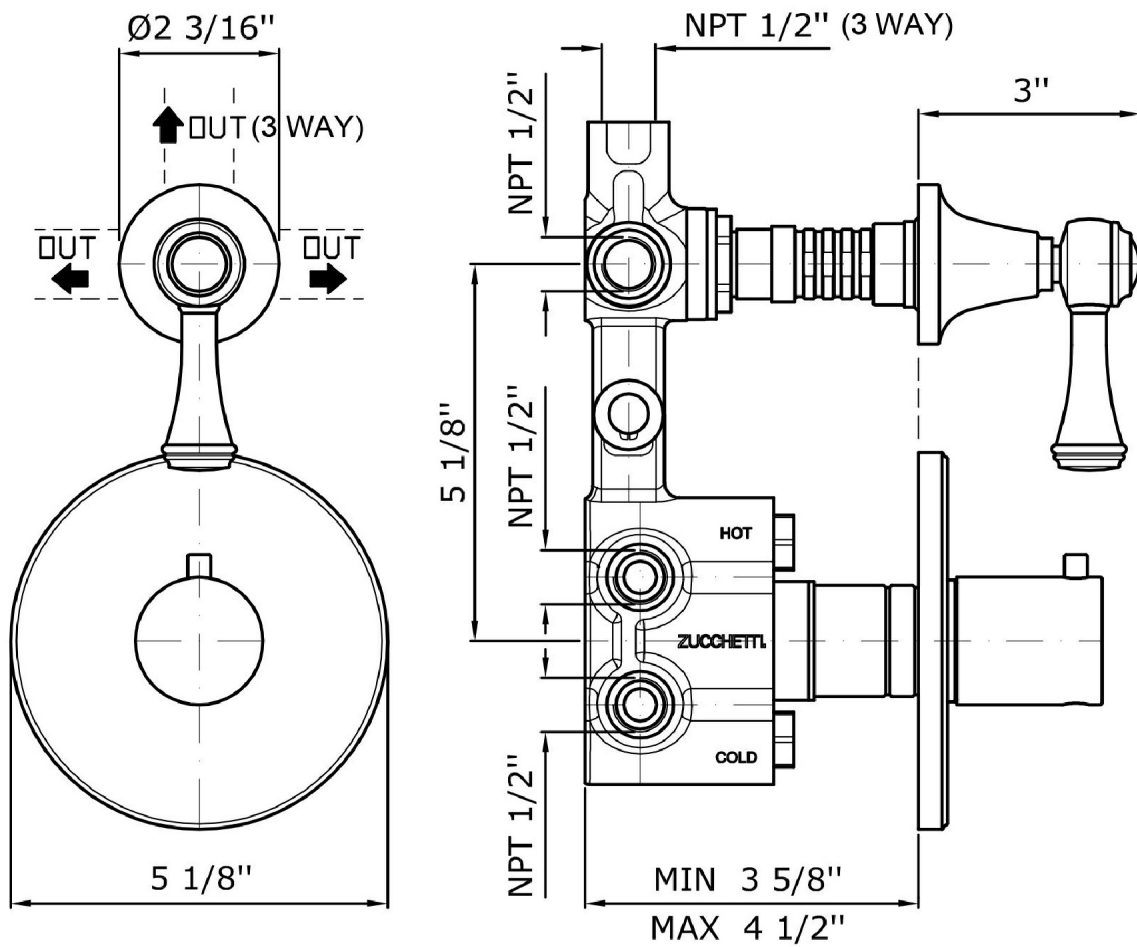
Brand ZUCCHETTI

Class

AGORÀ

## AGORÀ

ZAM646.1900 Overall Drawing



Brand ZUCCHETTI

Class

AGORÀ

## AGORÀ

ZAM646.1900 Certifications

USA

CSA

## AGORÀ

ZAM646.1900 Weights and Sizes

Weight ( lb )	2,12 ( Kg )	4,673752 ( lb )
Volume ( dc3 ) - ( in3 )	11,01 ( dc3 )	0,000672 ( in3 )
h ( mm ) - ( in )	90 ( mm )	3,543309 ( in )
L1 ( mm ) - ( in )	335 ( mm )	13,1889835 ( in )
L2 ( mm ) - ( in )	365 ( mm )	14,3700865 ( in )

