

AGORÀ

ZAM486.1950 4 hole bath-mixer.



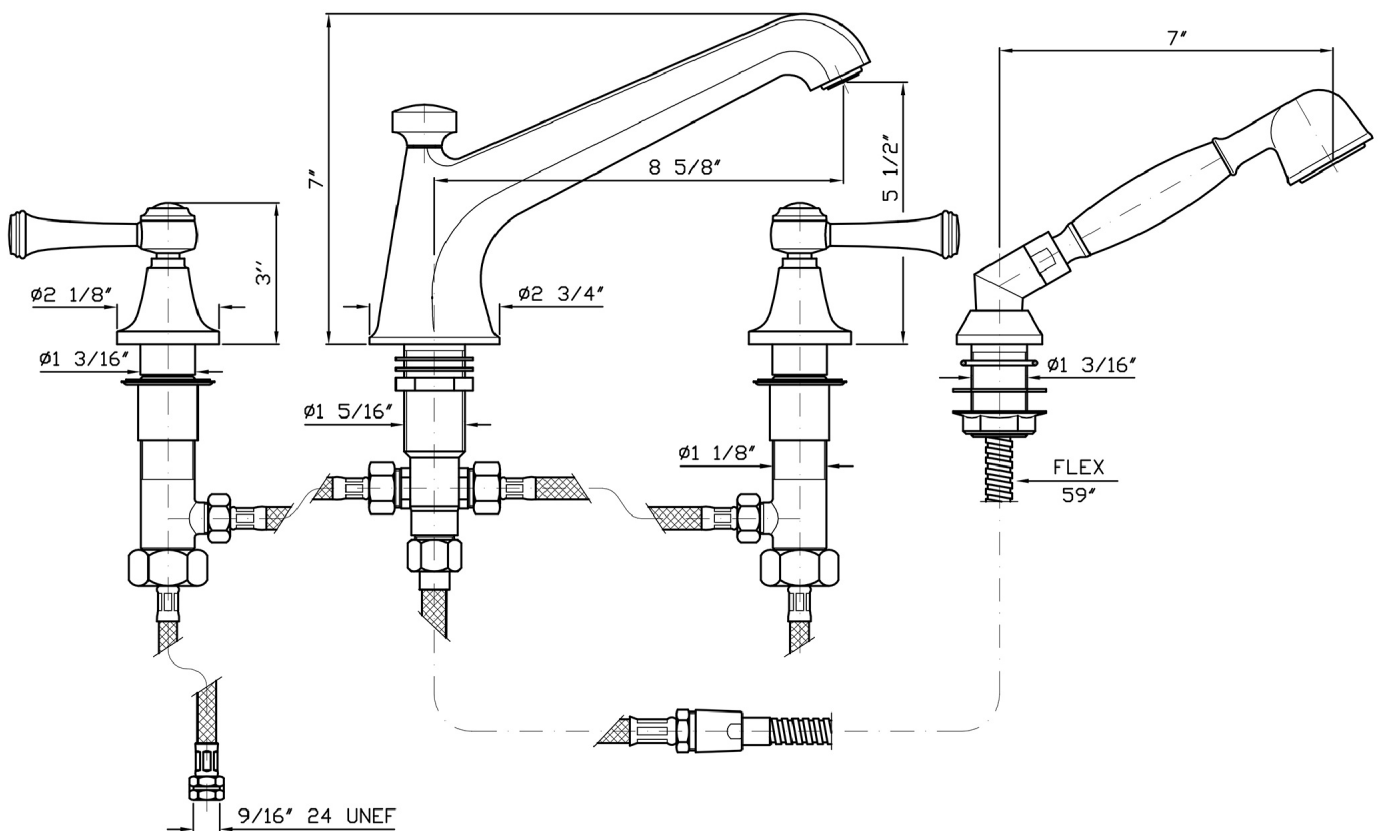
4 hole bath-mixer, spout with diverter pull out handshower Z9472P.C, flexible hose 59".
Spout projection 8 5/8".
Water flow restricted to 2,4 GPM (handshower).

Finiture / Finishes



AGORÀ

ZAM486.1950 Disegno Complessivo / Overall Drawing



AGORÀ

ZAM486.1950 Pesì e Misure / Weights and Sizes

Peso (Kg) Weight (lb)	5,7 (Kg)	12,56622 (lb)
Volume (dc3) - (in3)	13,34 (dc3)	0,000814 (in3)
h (mm) - (in)	90 (mm)	3,543309 (in)
L1 (mm) - (in)	285 (mm)	11,2204785 (in)
L2 (mm) - (in)	520 (mm)	20,472452 (in)

