

AGORÀ

ZAM407.195E 3 hole basin mixer.



3 hole basin mixer with aerator, 1 ¼" pop-up waste, flexible tails.
Spout projection 5 1/2".
Water flow restricted to 1,2 GPM.

Finiture / Finishes



Chrome



Polished Nickel

C8



Gold

C40

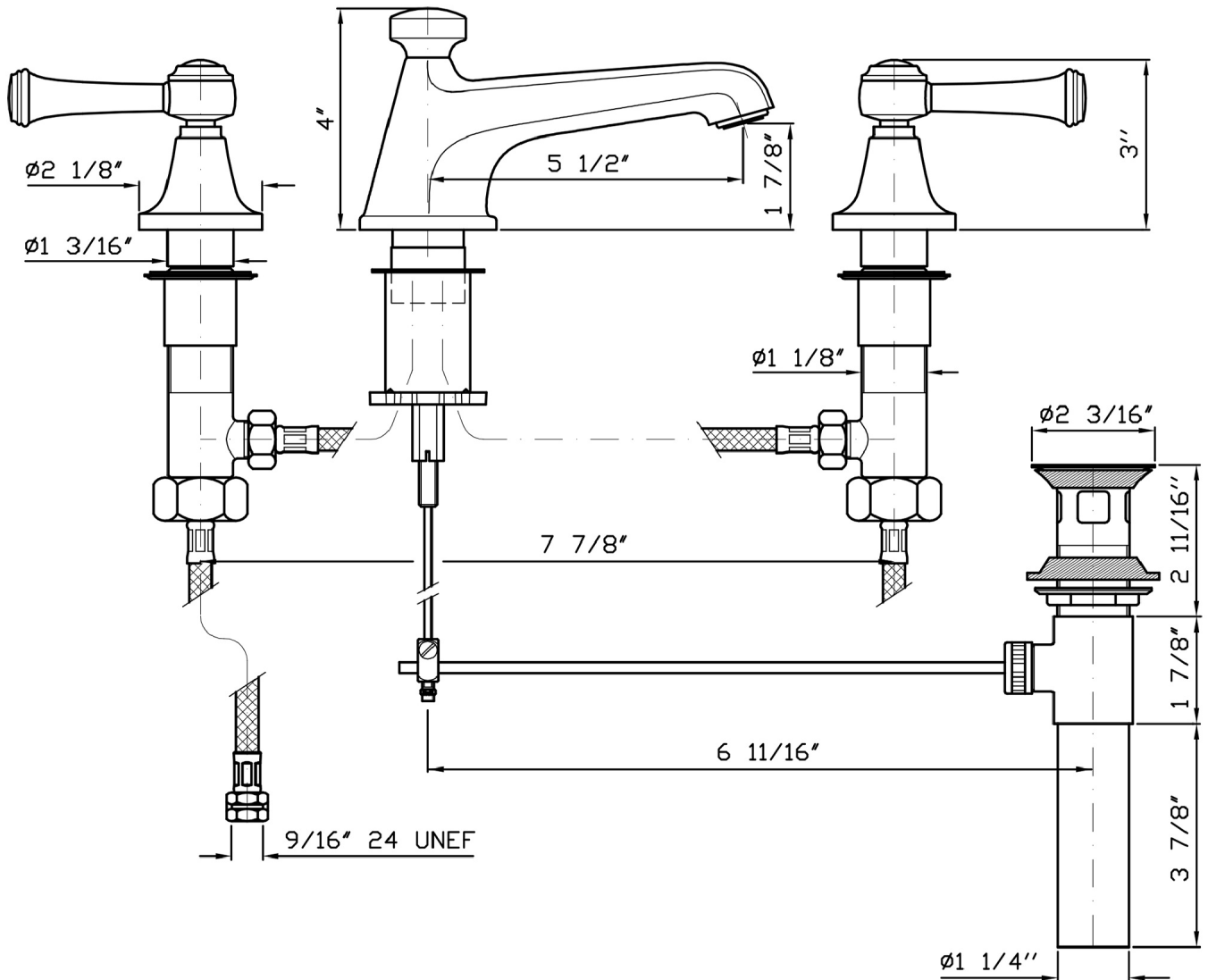


Brushed Gold

C41

AGORÀ

ZAM407.195E Disegno Complessivo / Overall Drawing



AGORÀ

ZAM407.195E Certificazioni / Certifications

USA

USA

CSA

IAPMO

AGORÀ

ZAM407.195E Pesì e Misure / Weights and Sizes

Peso (Kg) Weight (lb)	3,86 (Kg)	8,509756 (lb)
Volume (dc3) - (in3)	11,01 (dc3)	0,000672 (in3)
h (mm) - (in)	90 (mm)	3,543309 (in)
L1 (mm) - (in)	335 (mm)	13,1889835 (in)
L2 (mm) - (in)	365 (mm)	14,3700865 (in)

