

AGORÀ

ZAM405.195E 3 hole basin mixer fixed spout.



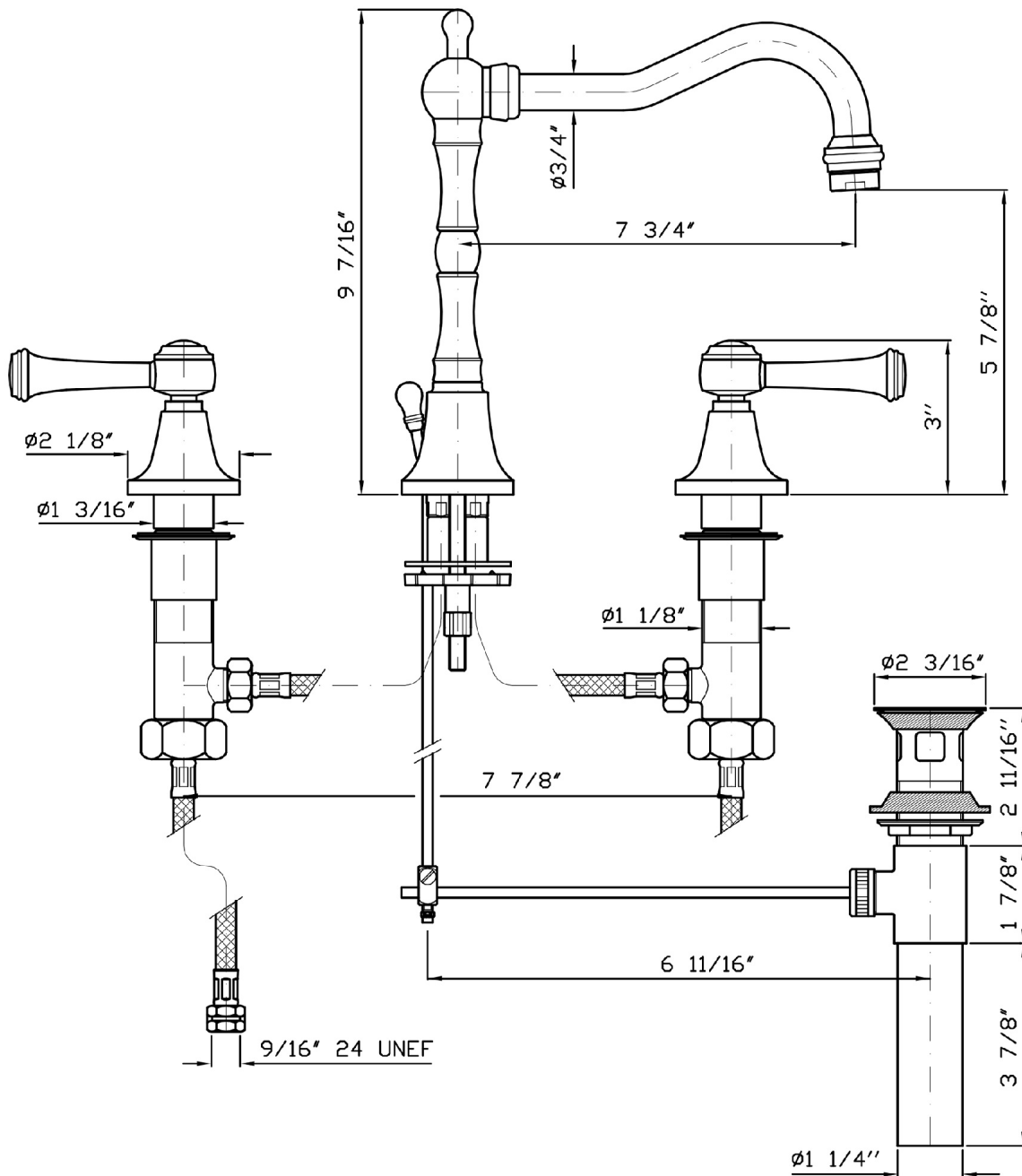
3 hole basin mixer fixed spout, with aerator, 1 ¼" pop-up waste, flexible hoses.
Spout projection 7 ¾".
Water flow restricted to 1,2 GPM.

Finiture / Finishes

		C8		C40		C41
Chrome	Polished Nickel		Gold		Brushed Gold	

AGORÀ

ZAM405.195E Disegno Complessivo / Overall Drawing



AGORÀ

ZAM405.195E Certificazioni / Certifications

USA

CSA

AGORÀ

ZAM405.195E Pesì e Misure / Weights and Sizes

Peso (Kg) Weight (lb)	4,1 (Kg)	9,03886 (lb)
Volume (dc3) - (in3)	11,01 (dc3)	0,000672 (in3)
h (mm) - (in)	90 (mm)	3,543309 (in)
L1 (mm) - (in)	335 (mm)	13,1889835 (in)
L2 (mm) - (in)	365 (mm)	14,3700865 (in)

