

Brand ZUCCHETTI

Class

AGORÀ

AGORÀ

ZAL729.1900 Wall valve.



1/2" wall valve.

R99779.1900

Rough-in



Finishes



Chrome



Polished Nickel

C8



Gold

C40

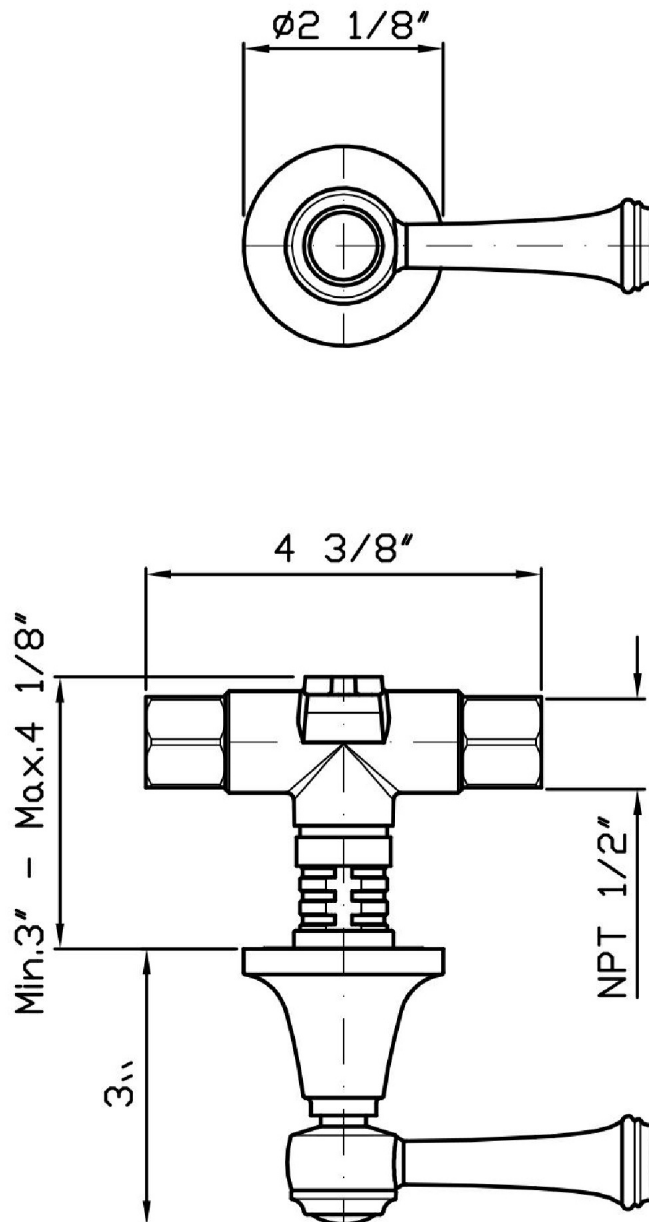


Brushed Gold

C41

AGORÀ

ZAL729.1900 Overall Drawing



Brand ZUCCHETTI

Class

AGORÀ

AGORÀ

ZAL729.1900

Certifications

USA

CSA

AGORÀ

ZAL729.1900

Weights and Sizes

Weight (lb)	0,9 (Kg)	1,98414 (lb)
Volume (dc3) - (in3)	1,21 (dc3)	0,000074 (in3)
h (mm) - (in)	73 (mm)	2,8740173 (in)
L1 (mm) - (in)	127 (mm)	5,0000027 (in)
L2 (mm) - (in)	130 (mm)	5,118113 (in)

