

## AGORÀ

ZAL407.195E

3 hole basin mixer.



3 hole basin mixer with aerator, 1 ¼" pop-up waste, flexible tails.  
Spout projection 5 1/2".  
Water flow restricted to 1,2 GPM.

### Finiture / Finishes



Chrome



Polished Nickel

C8



Gold

C40

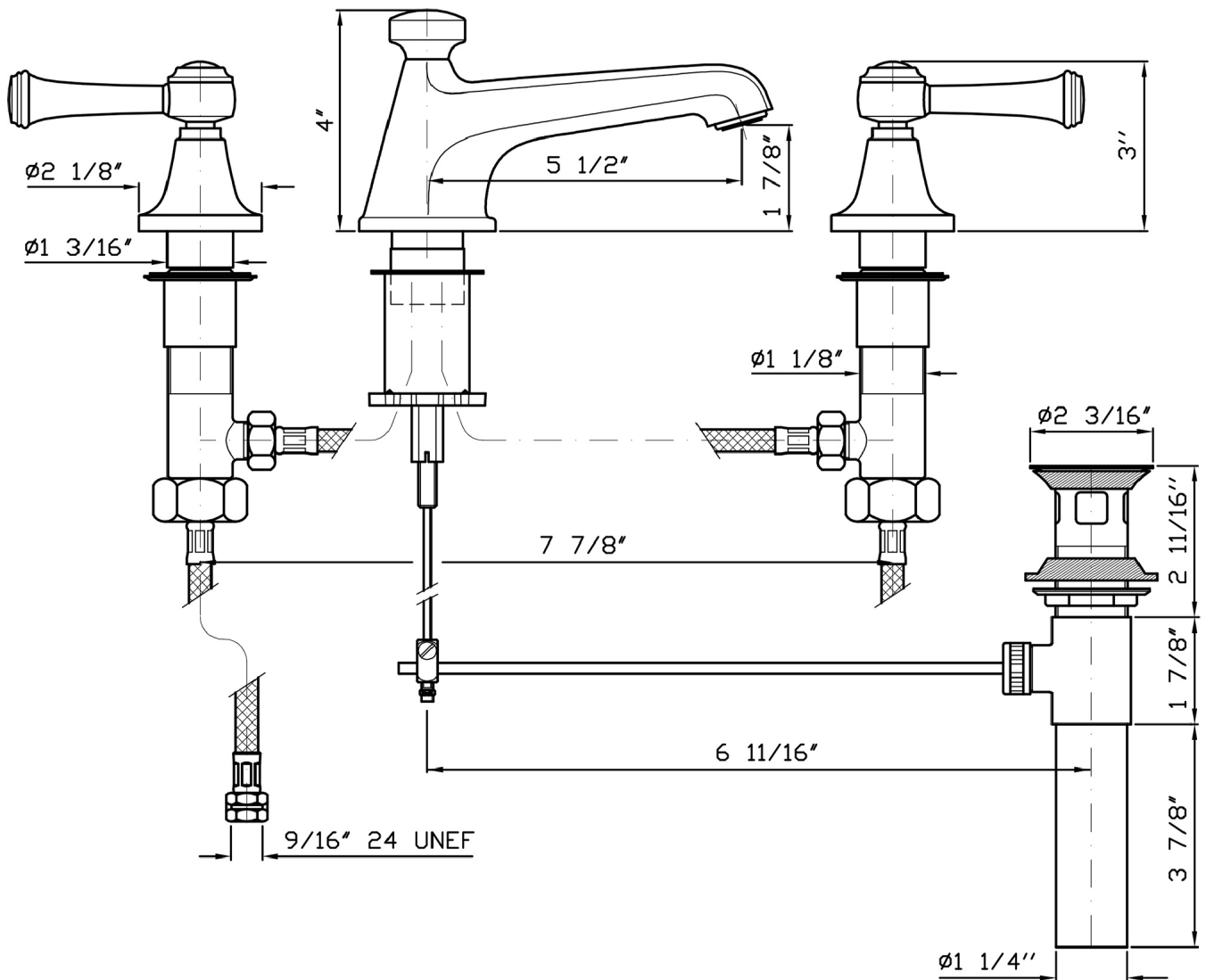


Brushed Gold

C41

## AGORÀ

ZAL407.195E Disegno Complessivo / Overall Drawing



## AGORÀ

### ZAL407.195E Certificazioni / Certifications

USA

CSA

## AGORÀ

### ZAL407.195E Pesì e Misure / Weights and Sizes

Peso ( Kg ) Weight ( lb )	4,54 ( Kg )	10,008884 ( lb )
Volume ( dc3 ) - ( in3 )	11,01 ( dc3 )	0,000672 ( in3 )
h ( mm ) - ( in )	90 ( mm )	3,543309 ( in )
L1 ( mm ) - ( in )	335 ( mm )	13,1889835 ( in )
L2 ( mm ) - ( in )	365 ( mm )	14,3700865 ( in )

