

## AGORÀ

ZAL406.195E

3 hole basin mixer fixed spout.



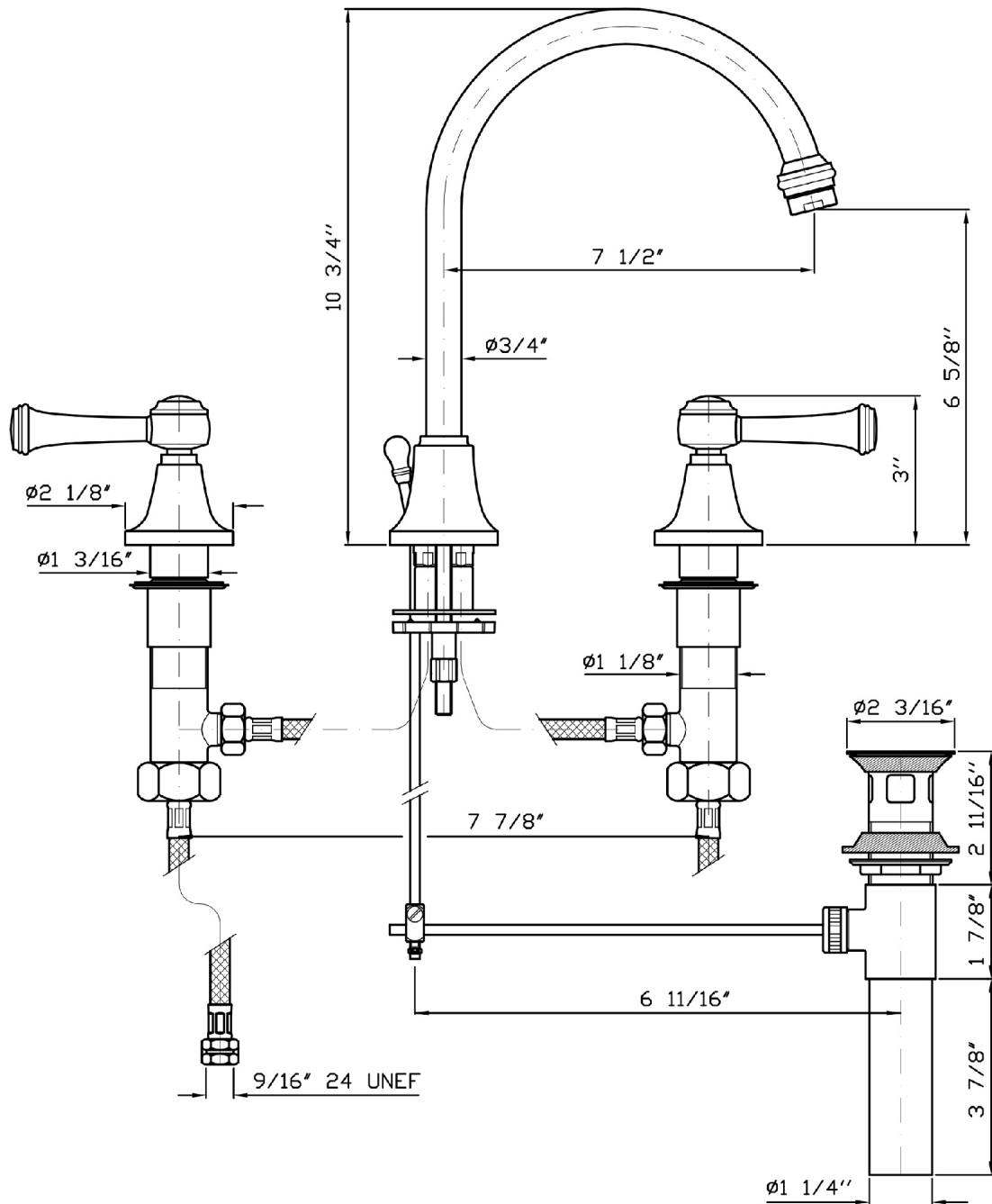
3 hole basin mixer fixed spout, with aerator, 1 ¼" pop-up waste, flexible tails.  
Spout projection 7 1/2".  
Water flow restricted to 1,2 GPM.

### Finiture / Finishes



## AGORÀ

ZAL406.195E Disegno Complessivo / Overall Drawing



## AGORÀ

### ZAL406.195E Certificazioni / Certifications

USA

CSA

## AGORÀ

### ZAL406.195E Pesì e Misure / Weights and Sizes

Peso ( Kg ) Weight ( lb )	3,8 ( Kg )	8,37748 ( lb )
Volume ( dc3 ) - ( in3 )	11,01 ( dc3 )	0,000672 ( in3 )
h ( mm ) - ( in )	90 ( mm )	3,543309 ( in )
L1 ( mm ) - ( in )	335 ( mm )	13,1889835 ( in )
L2 ( mm ) - ( in )	365 ( mm )	14,3700865 ( in )

