

Brand ZUCCHETTI

Class

AGORÀ

AGORÀ

ZAG729.1900 Wall valve.



1/2" wall valve.

R99779.1900

Rough-in



Finishes



Chrome



Polished Nickel

C8



Gold

C40



Brushed Gold

C41

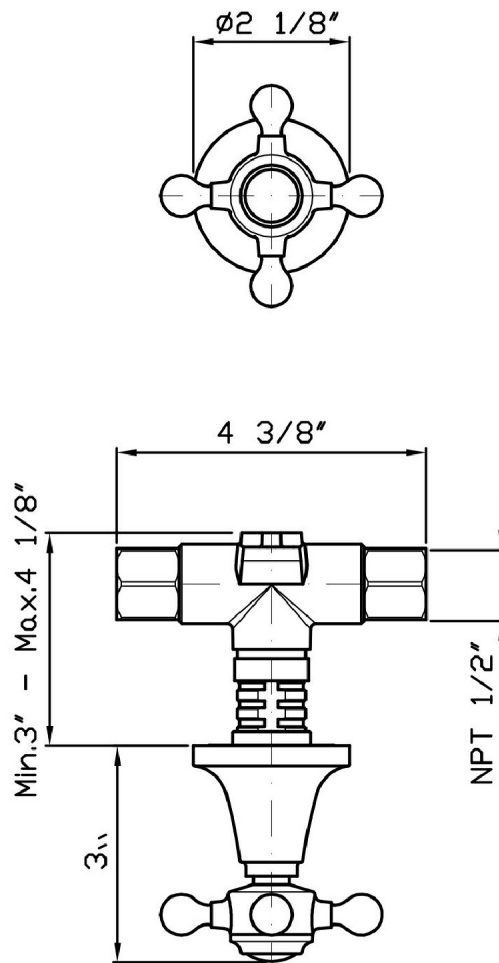
Brand ZUCCHETTI

Class

AGORÀ

AGORÀ

ZAG729.1900 Overall Drawing



Brand ZUCCHETTI

Class

AGORÀ

AGORÀ

ZAG729.1900 Certifications

USA

CSA

AGORÀ

ZAG729.1900 Weights and Sizes

Weight (lb)	0,825 (Kg)	1,818795 (lb)
Volume (dc3) - (in3)	1,21 (dc3)	0,000074 (in3)
h (mm) - (in)	73 (mm)	2,8740173 (in)
L1 (mm) - (in)	127 (mm)	5,0000027 (in)
L2 (mm) - (in)	130 (mm)	5,118113 (in)

