

Brand ZUCCHETTI

Class

AGORÀ

AGORÀ

ZAG672.190E 3 hole built-in basin mixer.



3 hole built-in basin mixer, with aerator.
Spout projection 8 1/16".
Water flow restricted to 1,2 GPM.

R99500.190E

Assembled rough-in part, interaxe 8"



Finishes



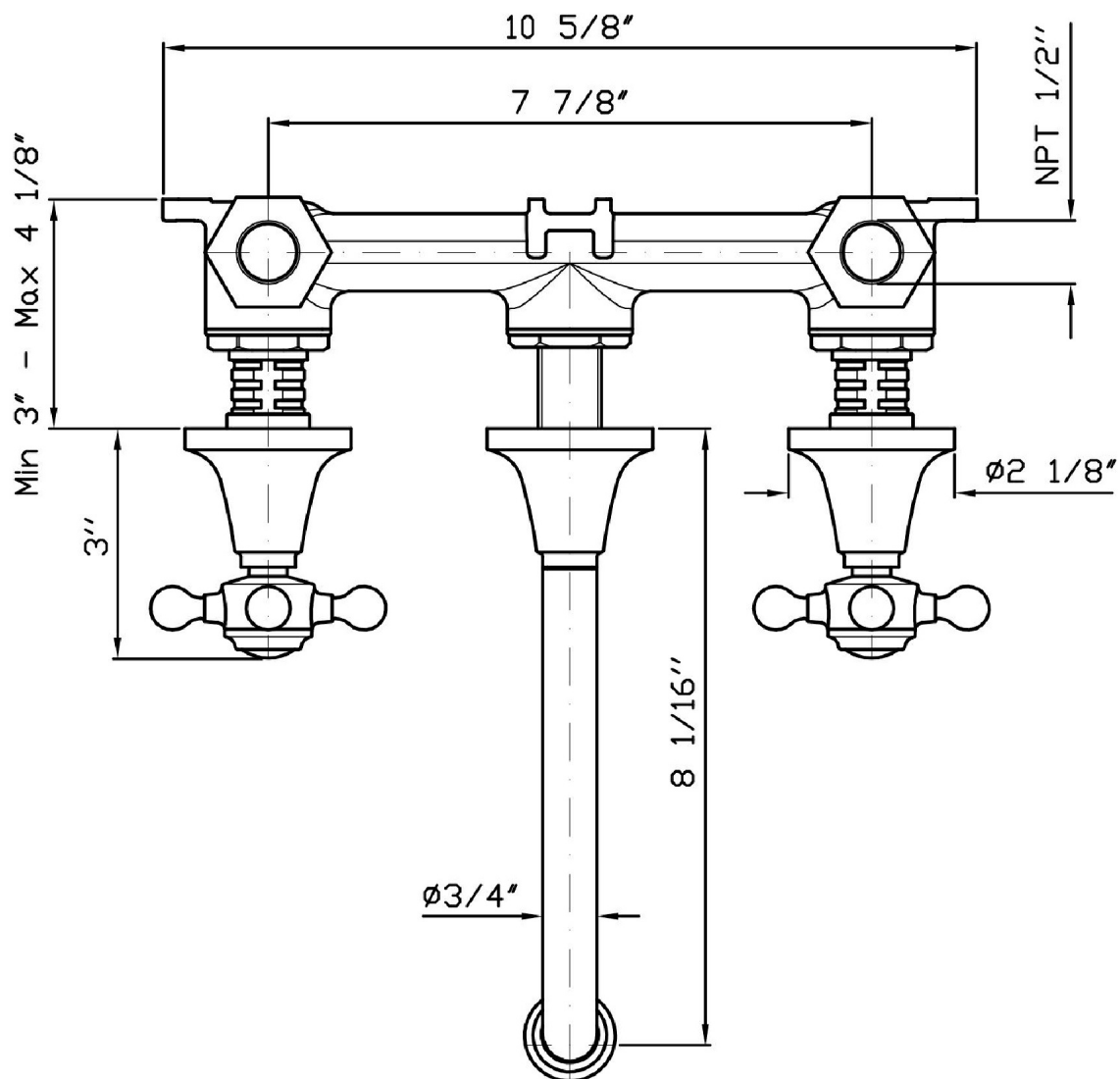
Brand ZUCCHETTI

Class

AGORÀ

AGORÀ

ZAG672.190E Overall Drawing



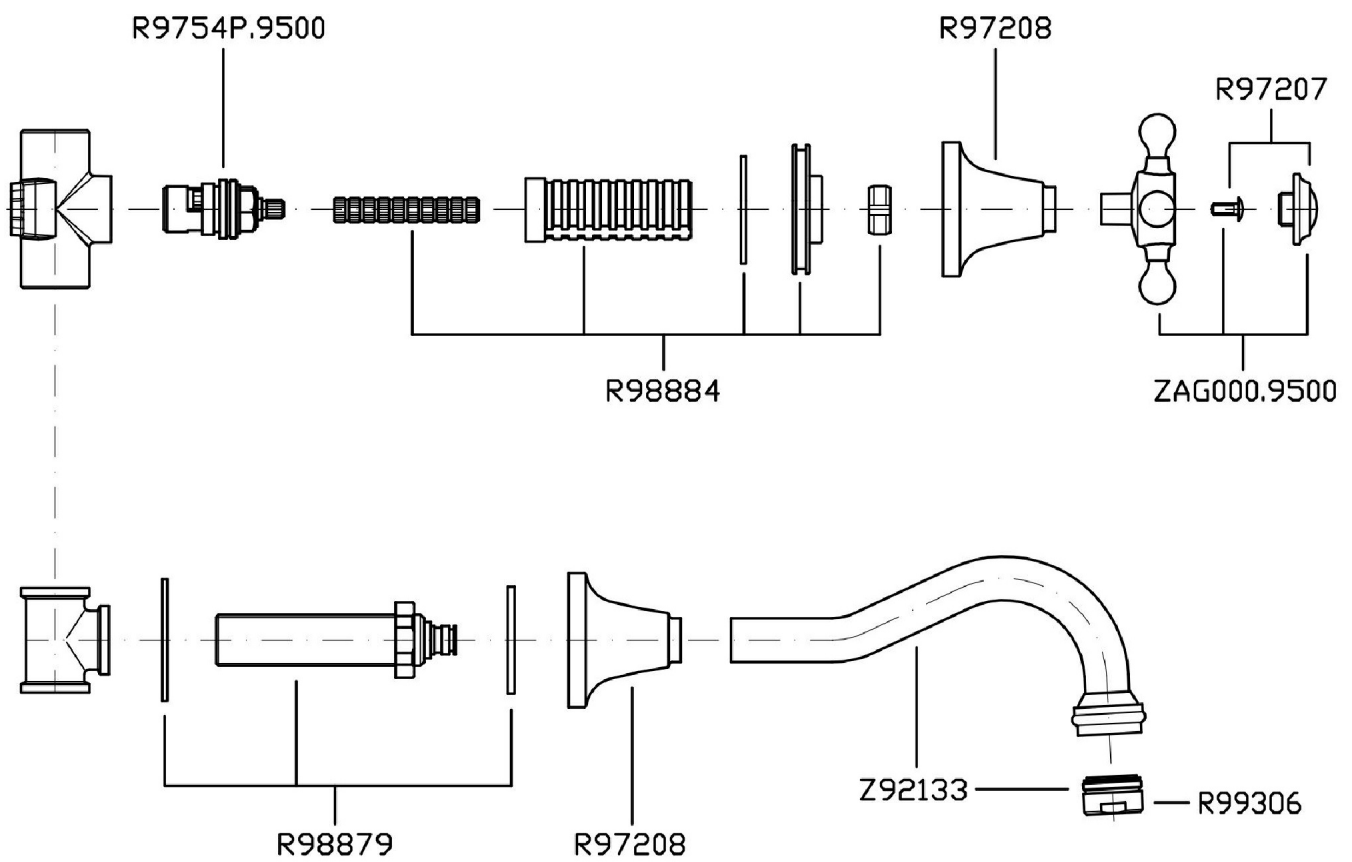
Brand ZUCCHETTI

Class

AGORÀ

AGORÀ

ZAG672.190E Exploded



Brand ZUCCHETTI

Class

AGORÀ

AGORÀ

ZAG672.190E Certifications

USA

CSA

AGORÀ

ZAG672.190E Weights and Sizes

Weight (lb)	2,2 (Kg)	4,85012 (lb)
Volume (dc3) - (in3)	7,43 (dc3)	0,000453 (in3)
h (mm) - (in)	90 (mm)	3,543309 (in)
L1 (mm) - (in)	250 (mm)	9,842525 (in)
L2 (mm) - (in)	330 (mm)	12,992133 (in)

