

AGORÀ



ZAG530.195E

Single hole basin mixer, low spout.



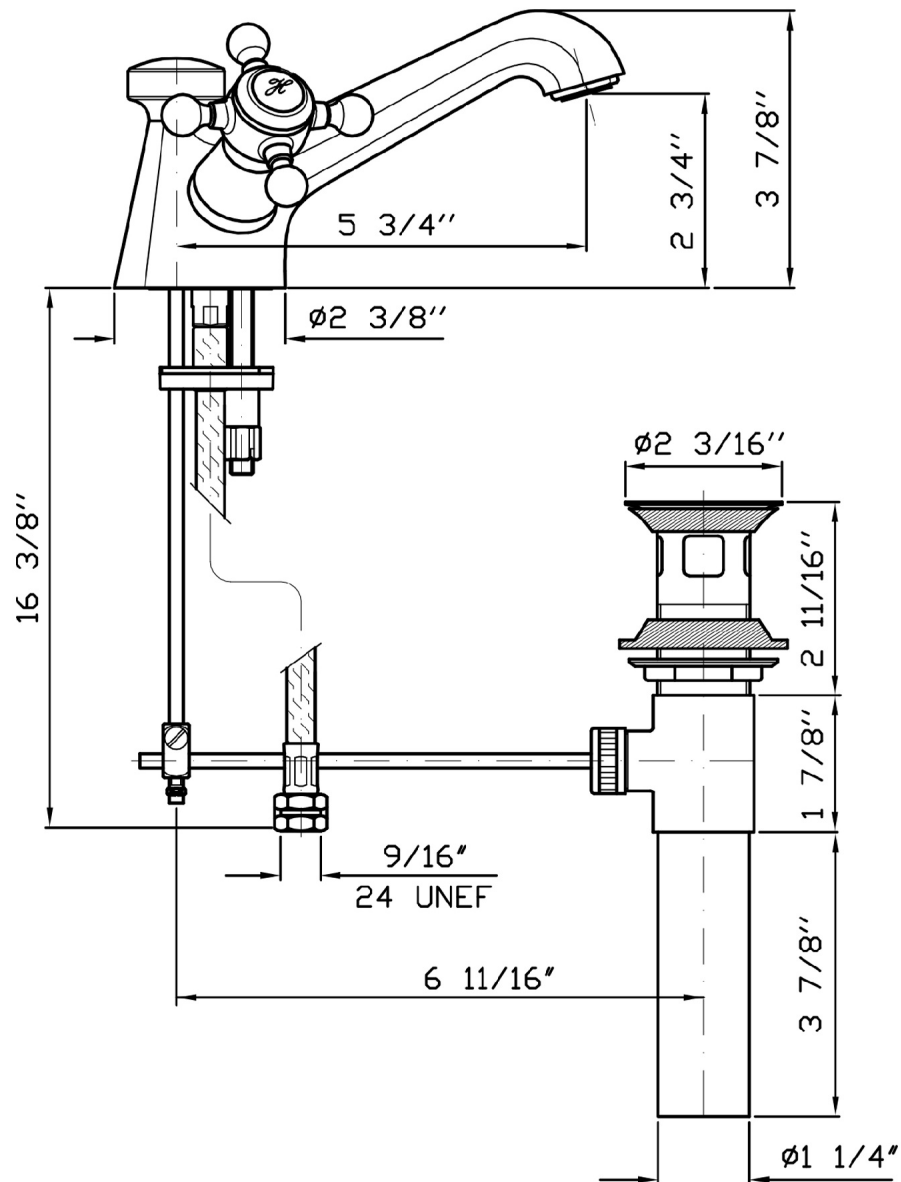
Single hole basin mixer, low spout with aerator, 1 1/4" pop-up waste, flexible tails.
Spout projection 5 3/4".
Water flow restricted to 1,2 GPM.

Finiture / Finishes

		C8		C40		C41
Chrome	Polished Nickel		Gold		Brushed Gold	

AGORÀ

ZAG530.195E Disegno Complessivo / Overall Drawing



AGORÀ

ZAG530.195E Certificazioni / Certifications

USA

CSA

AGORÀ

ZAG530.195E Pesì e Misure / Weights and Sizes

Peso (Kg) Weight (lb)	2,86 (Kg)	6,305156 (lb)
Volume (dc3) - (in3)	12,27 (dc3)	0,000749 (in3)
h (mm) - (in)	150 (mm)	5,905515 (in)
L1 (mm) - (in)	250 (mm)	9,842525 (in)
L2 (mm) - (in)	327 (mm)	12,8740227 (in)

