

Marchio / Brand ZUCCHETTI

Classe / Class

AGORÀ

AGORÀ

ZAG362.195E

Single hole basin mixer, fixed spout.



Single hole basin mixer, fixed spout with aerator, 1 1/4" pop-up waste, flexible hoses.
Spout projection 7 3/4".
Water flow restricted to 1,2 GPM.

Finiture / Finishes



Chrome



Polished Nickel

C8



Gold

C40

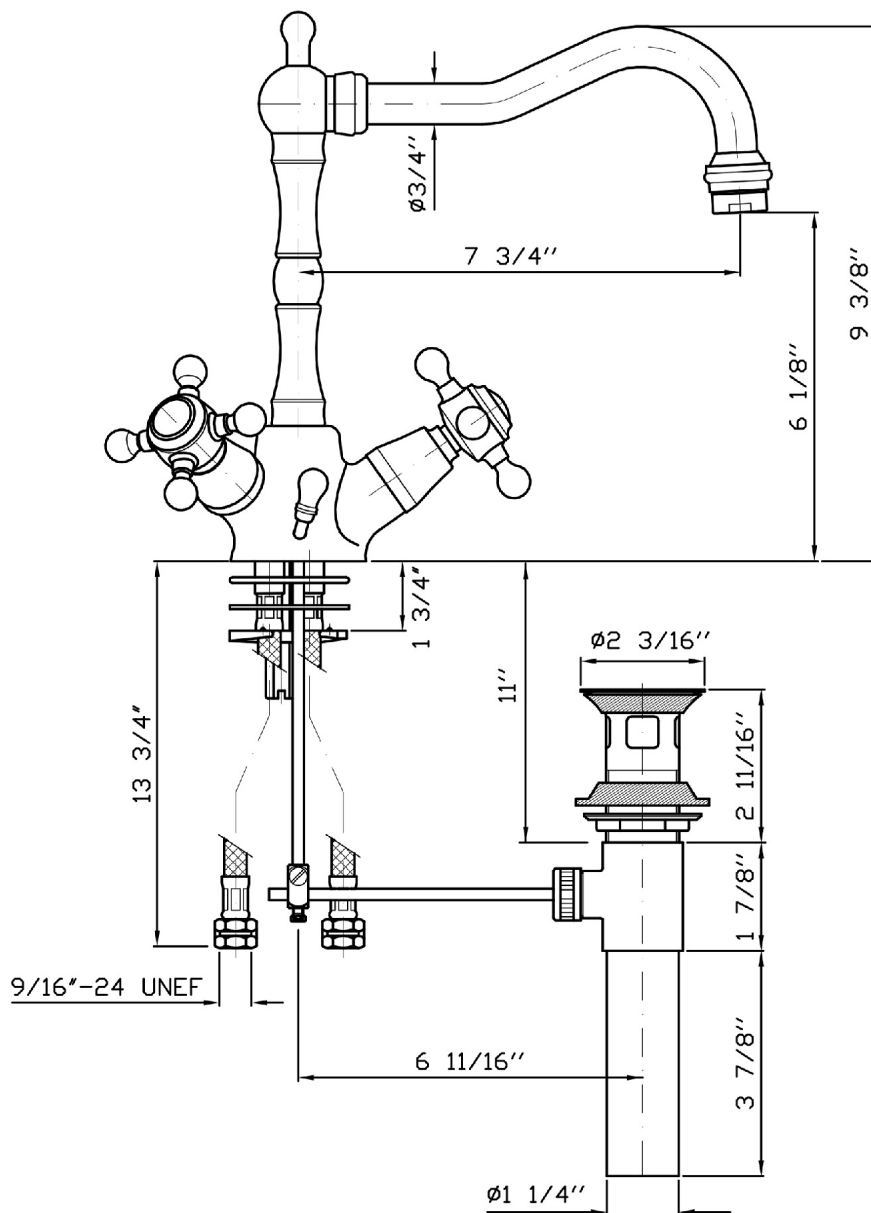


Brushed Gold

C41

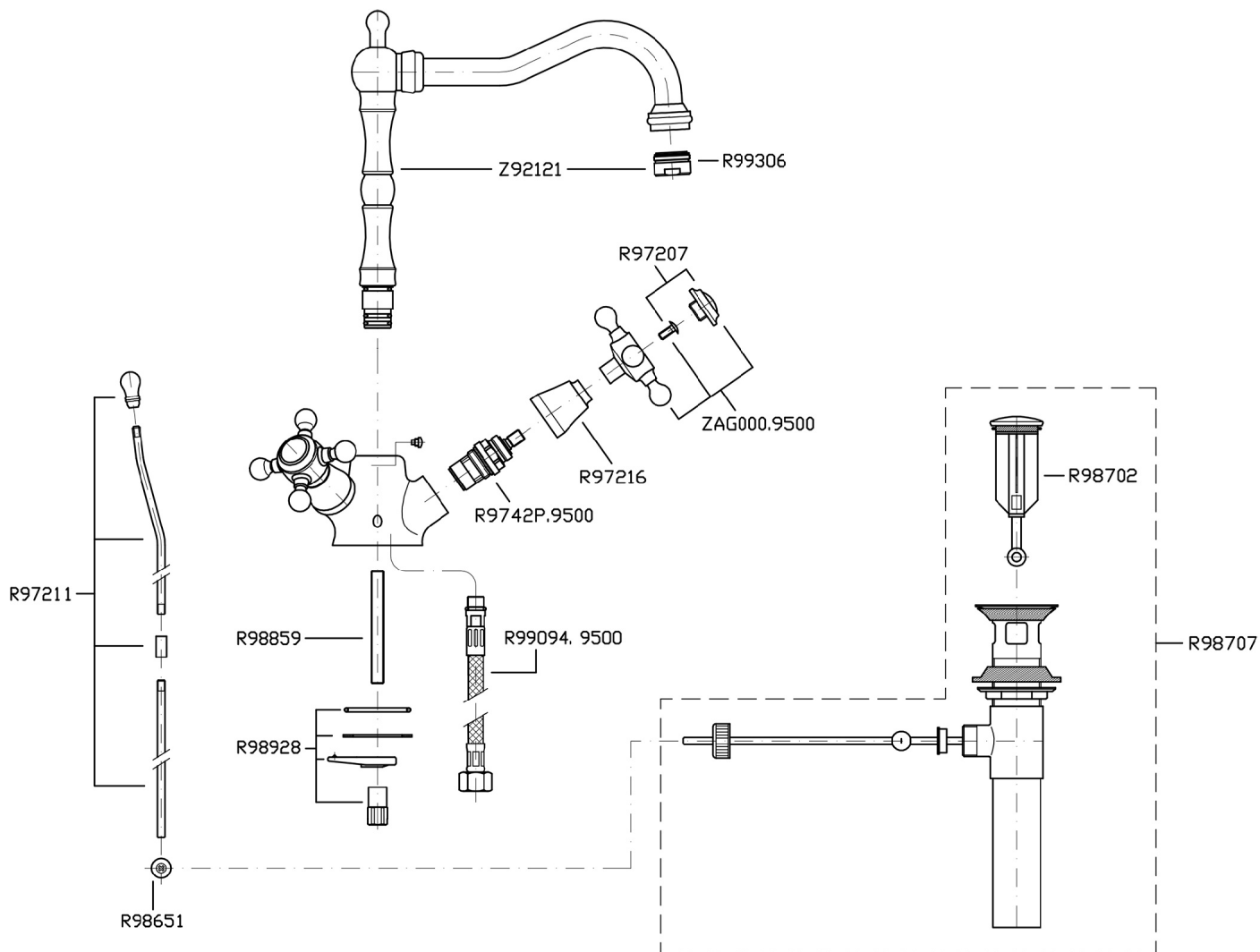
AGORÀ

ZAG362.195E Disegno Complessivo / Overall Drawing



AGORÀ

ZAG362.195E Esplosi / Exploded



AGORÀ

ZAG362.195E Certificazioni / Certifications

USA

CSA

AGORÀ

ZAG362.195E Pesì e Misure / Weights and Sizes

Peso (Kg) Weight (lb)	3,27 (Kg)	7,209042 (lb)
Volume (dc3) - (in3)	7,5 (dc3)	0,000458 (in3)
h (mm) - (in)	90 (mm)	3,543309 (in)
L1 (mm) - (in)	250 (mm)	9,842525 (in)
L2 (mm) - (in)	333 (mm)	13,1102433 (in)

