

Brand ZUCCHETTI

Class ACCESSORIES

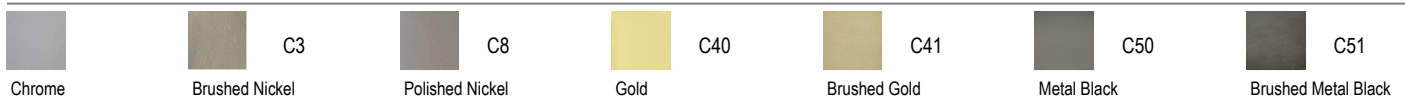
JINGLE

ZAD150 Hook.



Hook.

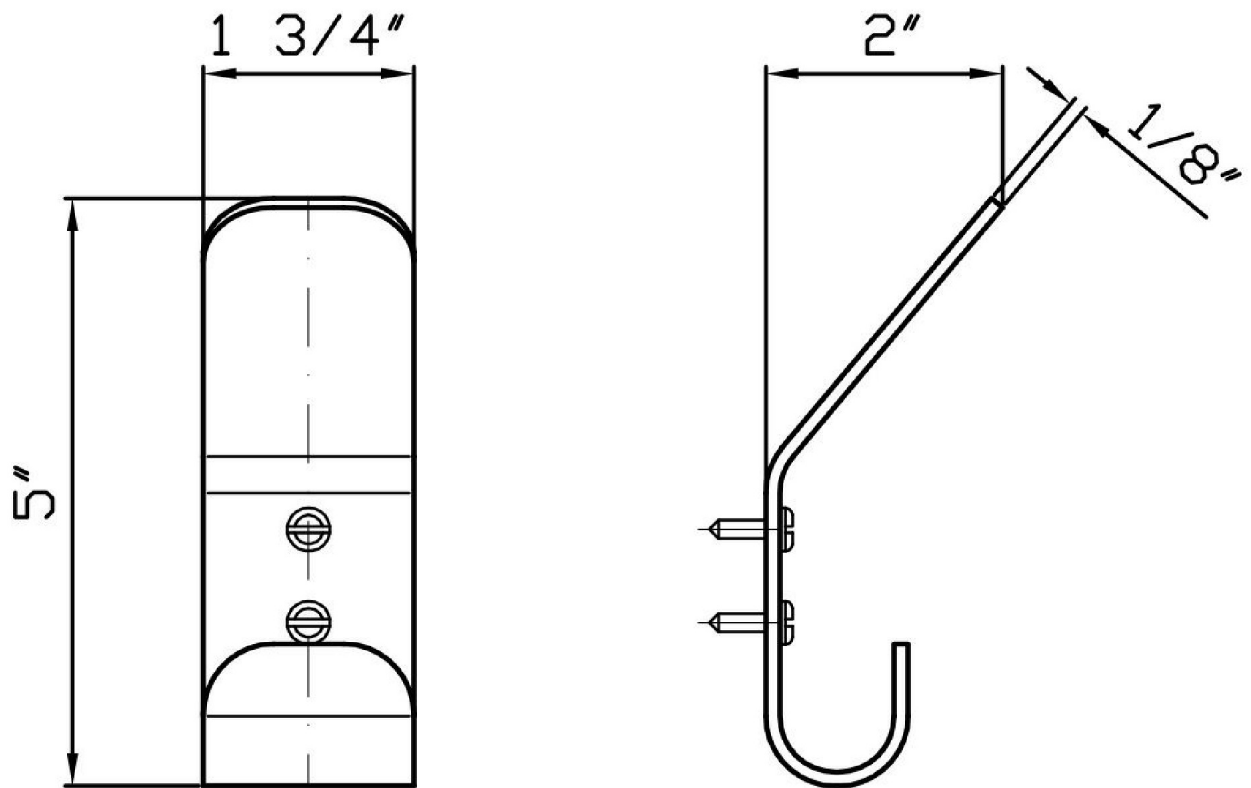
Finishes



JINGLE

ZAD150

Overall Drawing



Brand ZUCCHETTI

Class ACCESSORIES

JINGLE

ZAD150 Weights and Sizes

Weight (lb)	0,29 (Kg)	0,639334 (lb)
Volume (dc3) - (in3)	1,21 (dc3)	0,000074 (in3)
h (mm) - (in)	73 (mm)	2,8740173 (in)
L1 (mm) - (in)	127 (mm)	5,0000027 (in)
L2 (mm) - (in)	130 (mm)	5,118113 (in)

