

Brand ZUCCHETTI

Class ACCESSORIES

JINGLE

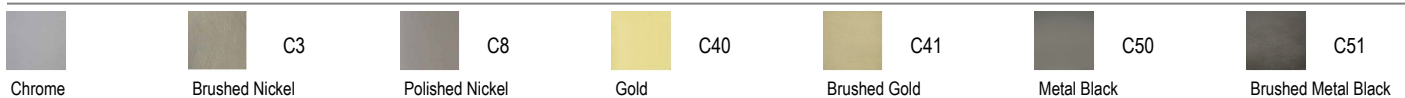
ZAD120

Towel holder.



Towel holder length 11 13/16".

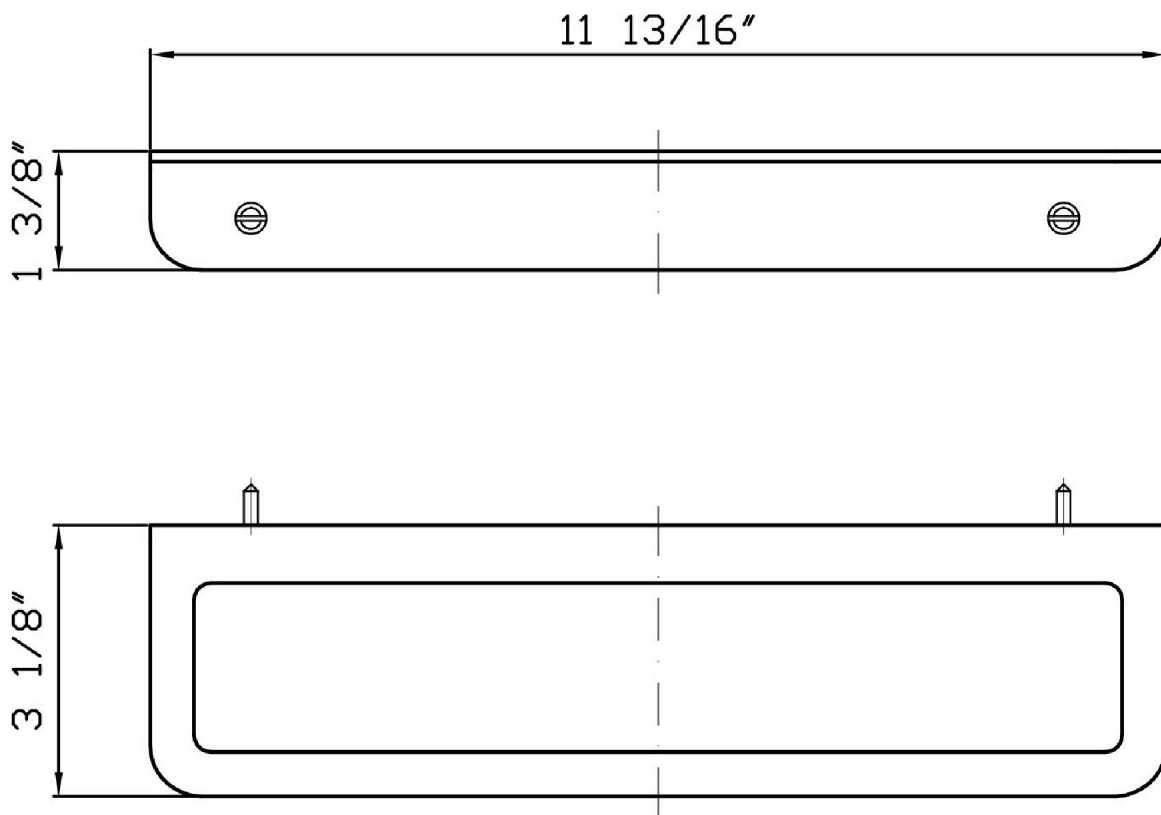
Finishes



JINGLE

ZAD120

Overall Drawing



Brand ZUCCHETTI

Class ACCESSORIES

JINGLE

ZAD120 Weights and Sizes

| | | |
|--------------------------|--------------|------------------|
| Weight (lb) | 0,54 (Kg) | 1,190484 (lb) |
| Volume (dc3) - (in3) | 1,99 (dc3) | 0,000121 (in3) |
| h (mm) - (in) | 55 (mm) | 2,1653555 (in) |
| L1 (mm) - (in) | 100 (mm) | 3,93701 (in) |
| L2 (mm) - (in) | 360 (mm) | 14,173236 (in) |

