

Brand ZUCCHETTI

Class ACCESSORIES

JINGLE

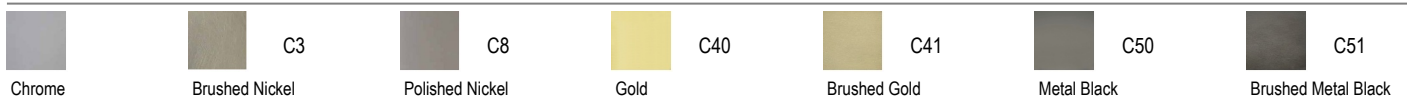
ZAD115

Wall mounted soap dispenser.



Ceramic wall mounted soap dispenser.

Finishes



Brand ZUCCHETTI

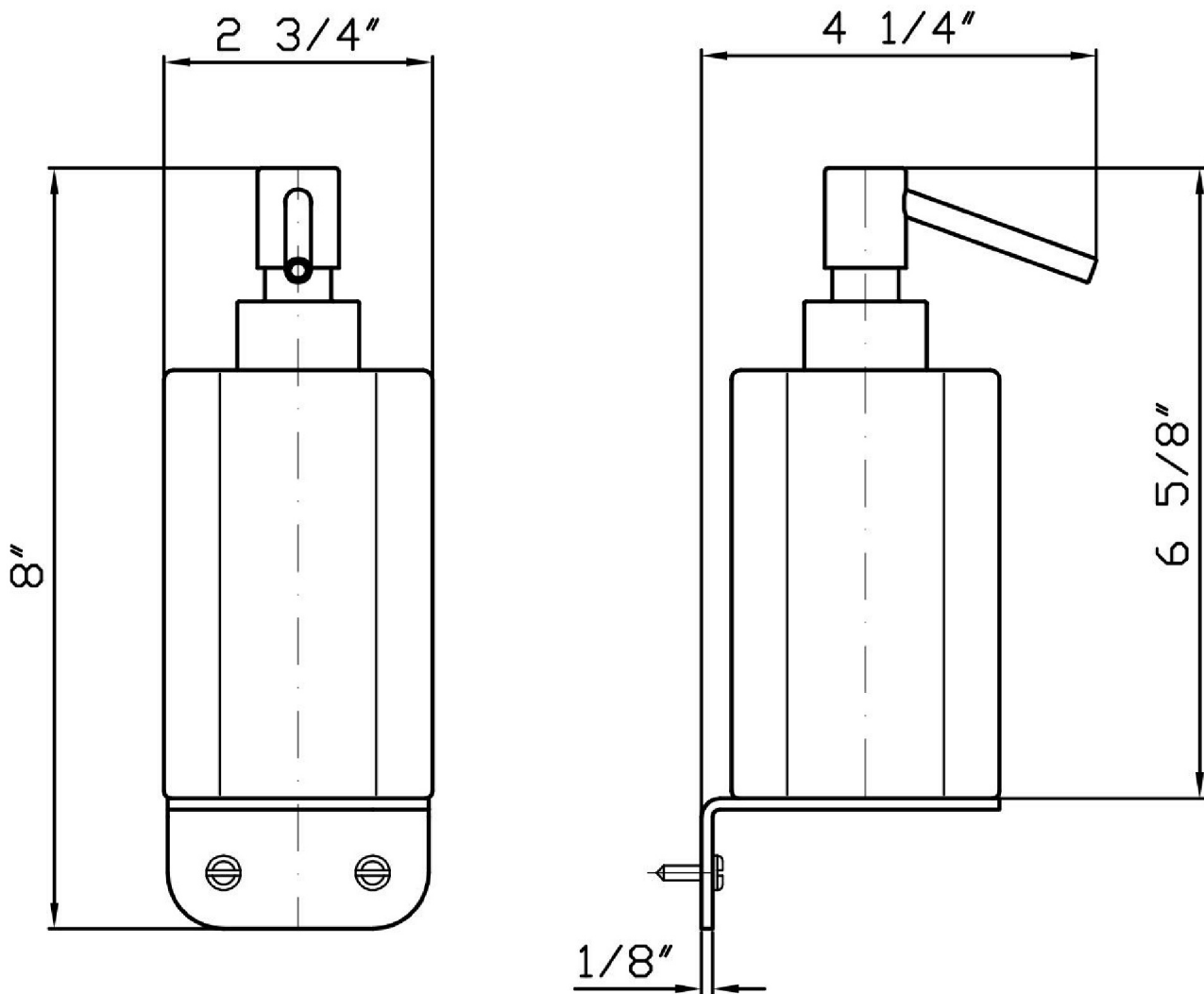
Class

ACCESSORIES

JINGLE

ZAD115

Overall Drawing



Brand ZUCCHETTI

Class

ACCESSORIES

JINGLE

ZAD115

Weights and Sizes

Weight (lb)	0,87 (Kg)	1,918002 (lb)
Volume (dc3) - (in3)	3,32 (dc3)	0,000203 (in3)
h (mm) - (in)	93 (mm)	3,6614193 (in)
L1 (mm) - (in)	162 (mm)	6,3779562 (in)
L2 (mm) - (in)	220 (mm)	8,661422 (in)

