

Brand ZUCCHETTI

Class ACCESSORIES

SOFT

ZAC732 Toilet paper holder.



Toilet paper holder.

Finishes



Chrome



Brushed Nickel

C3



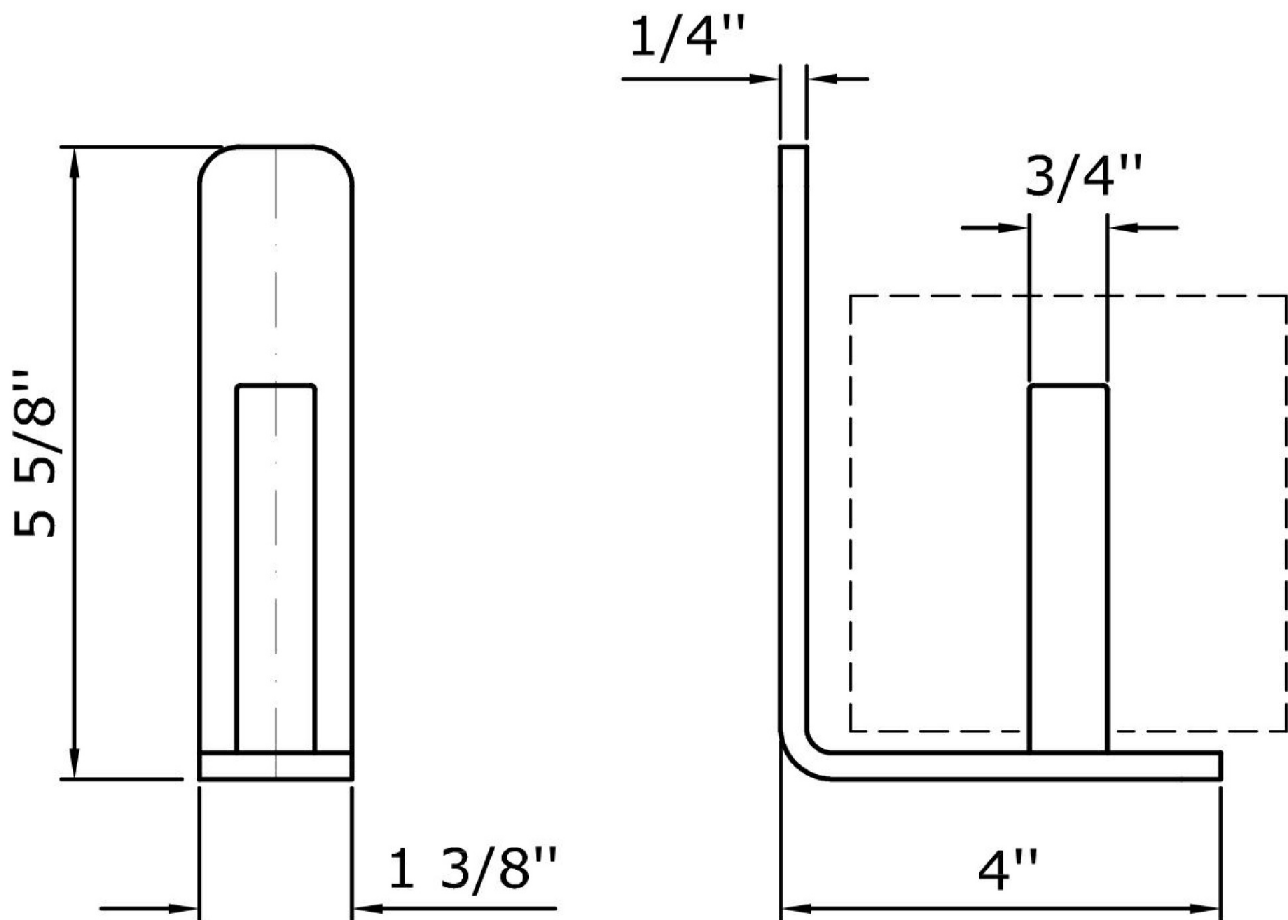
Polished Nickel

C8

SOFT

ZAC732

Overall Drawing



Brand ZUCCHETTI

Class ACCESSORIES

SOFT

ZAC732

Weights and Sizes

Weight (lb)	0,6 (Kg)	1,32276 (lb)
Volume (dc3) - (in3)	1,15 (dc3)	0,000070 (in3)
h (mm) - (in)	45 (mm)	1,7716545 (in)
L1 (mm) - (in)	134 (mm)	5,2755934 (in)
L2 (mm) - (in)	190 (mm)	7,480319 (in)

