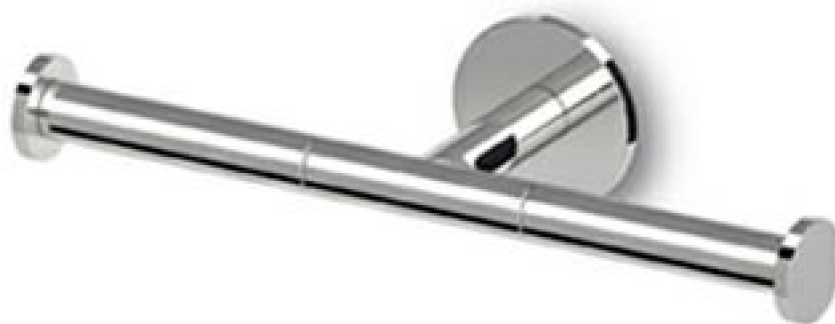


## PAN

ZAC631

Double toilet-paper holder.



Double toilet-paper holder.

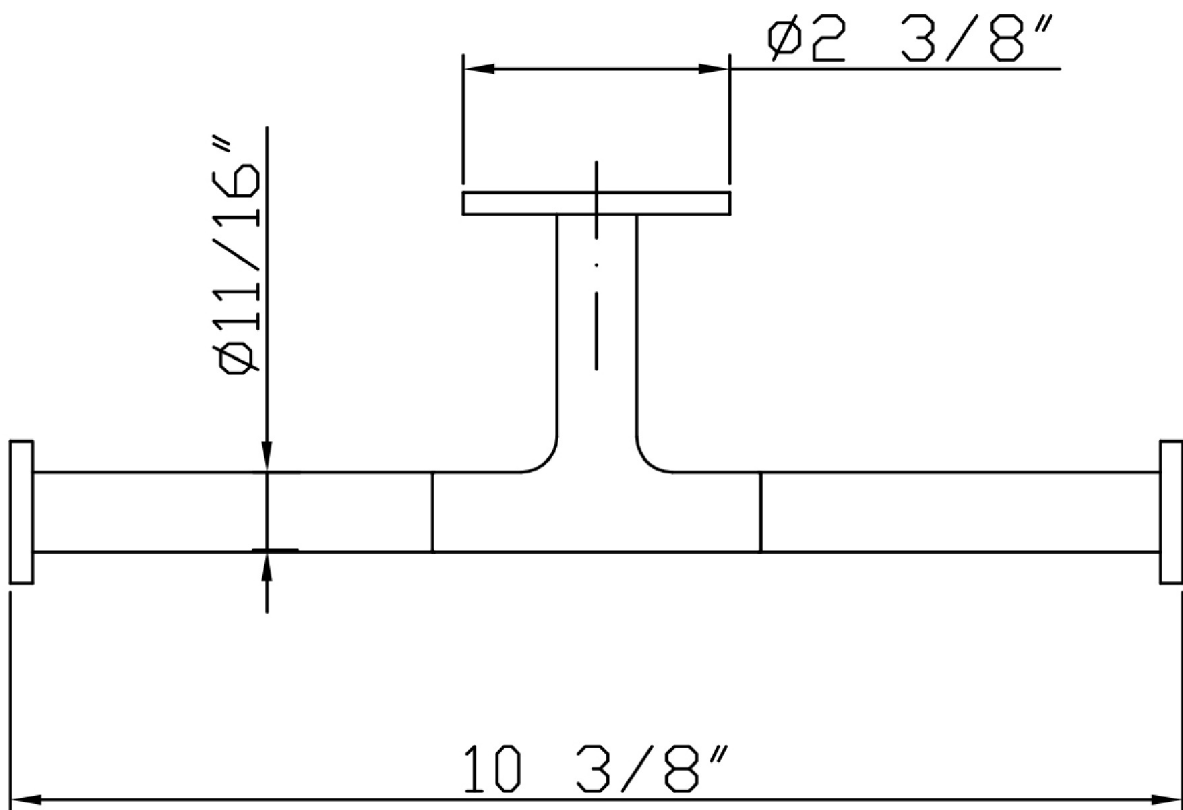
### Finiture / Finishes

	 C3	 C8	 C40	 C41	 C50	 C51
Chrome	Brushed Nickel	Polished Nickel	Gold	Brushed Gold	Metal Black	Brushed Metal Black
 W1	 N1	 N7				
Embossed Matt White	Embossed Matt Black	Soft Touch Black				

## PAN

ZAC631

Disegno Complessivo / Overall Drawing



## PAN

**ZAC631****Pesi e Misure / Weights and Sizes**

Peso ( Kg ) Weight ( lb )	0,75 ( Kg )	1,65 ( lb )
Volume test ( dc3 ) - ( in3 )	1,99 ( dc3 )	121,44 ( in3 )
h ( mm ) - ( in )	55,00 ( mm )	2,17 ( in )
L1 ( mm ) - ( in )	100,00 ( mm )	3,94 ( in )
L2 ( mm ) - ( in )	360,00 ( mm )	14,17 ( in )

