

Brand ZUCCHETTI

Class ACCESSORIES

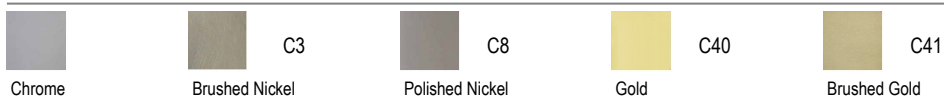
BELLAGIO

ZAC515 Wall mounted soap dispenser.



Ceramic wall mounted soap dispenser.

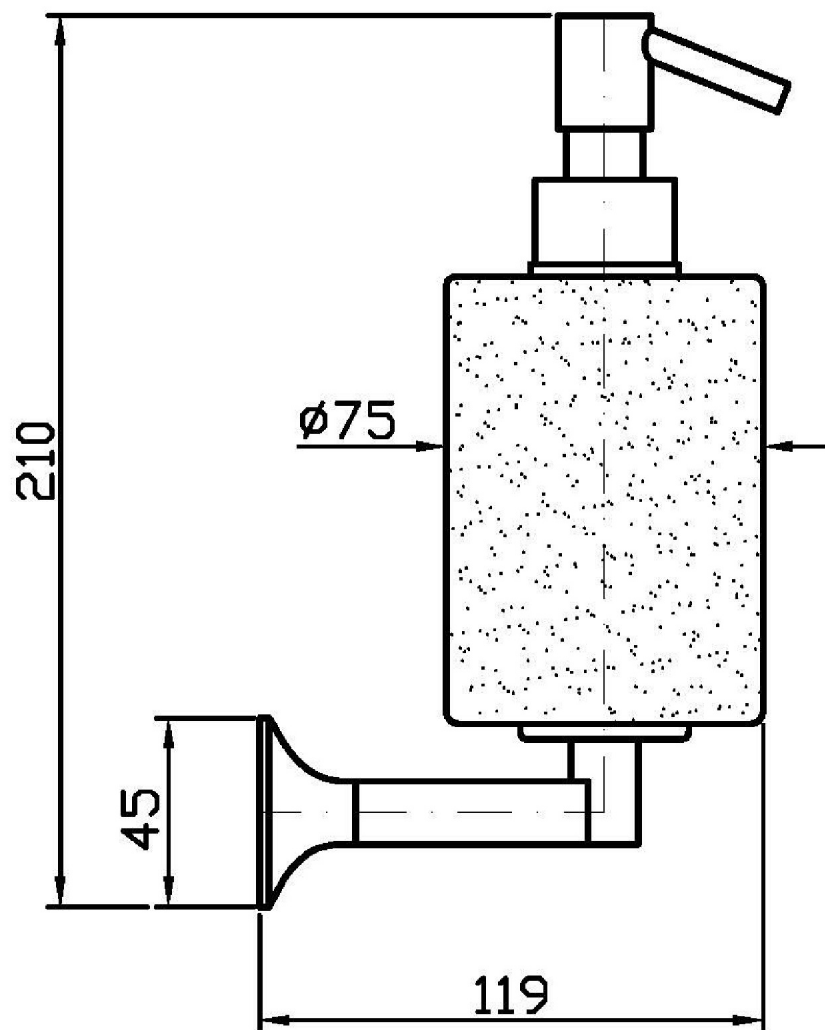
Finishes



BELLAGIO

ZAC515

Overall Drawing



Brand ZUCCHETTI

Class

ACCESSORIES

BELLAGIO

ZAC515

Weights and Sizes

| | | |
|--------------------------|--------------|------------------|
| Weight (lb) | 0,83 (Kg) | 1,829818 (lb) |
| Volume (dc3) - (in3) | 3,32 (dc3) | 0,000203 (in3) |
| h (mm) - (in) | 93 (mm) | 3,6614193 (in) |
| L1 (mm) - (in) | 162 (mm) | 6,3779562 (in) |
| L2 (mm) - (in) | 220 (mm) | 8,661422 (in) |

