

Brand ZUCCHETTI

Class

AGUABLU

AGUABLU

ZA5715.190E Built-in basin mixer.



Built-in basin mixer.
Spout projection 7 5/16".
Water flow restricted to 1,2 GPM.

R99500.190E

Assembled rough-in part, interaxe 8"



Finishes



Chrome



Brushed Nickel

C3



Polished Nickel

C8

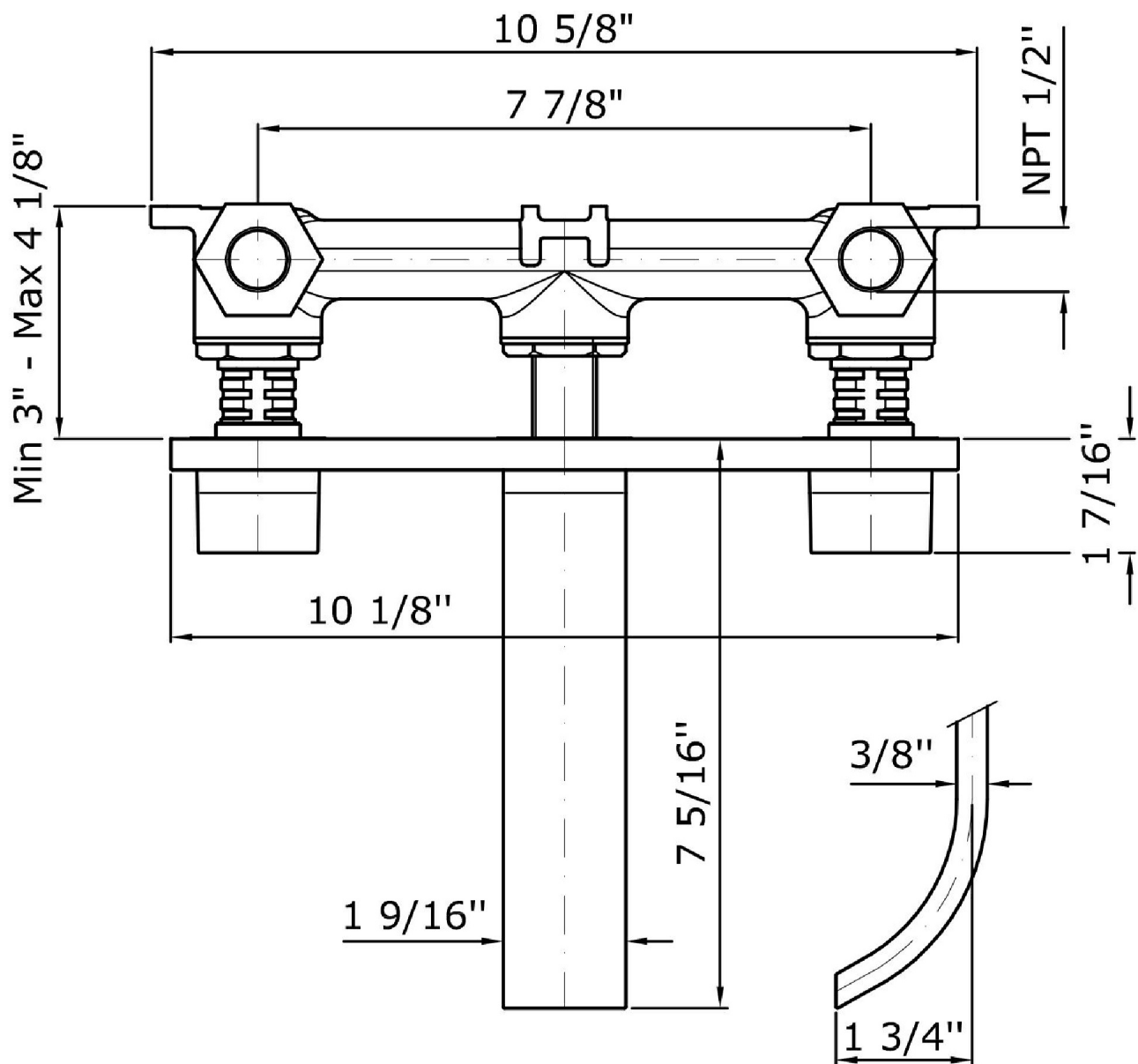
Brand ZUCCHETTI

Class

AGUABLU

AGUABLU

ZA5715.190E Overall Drawing



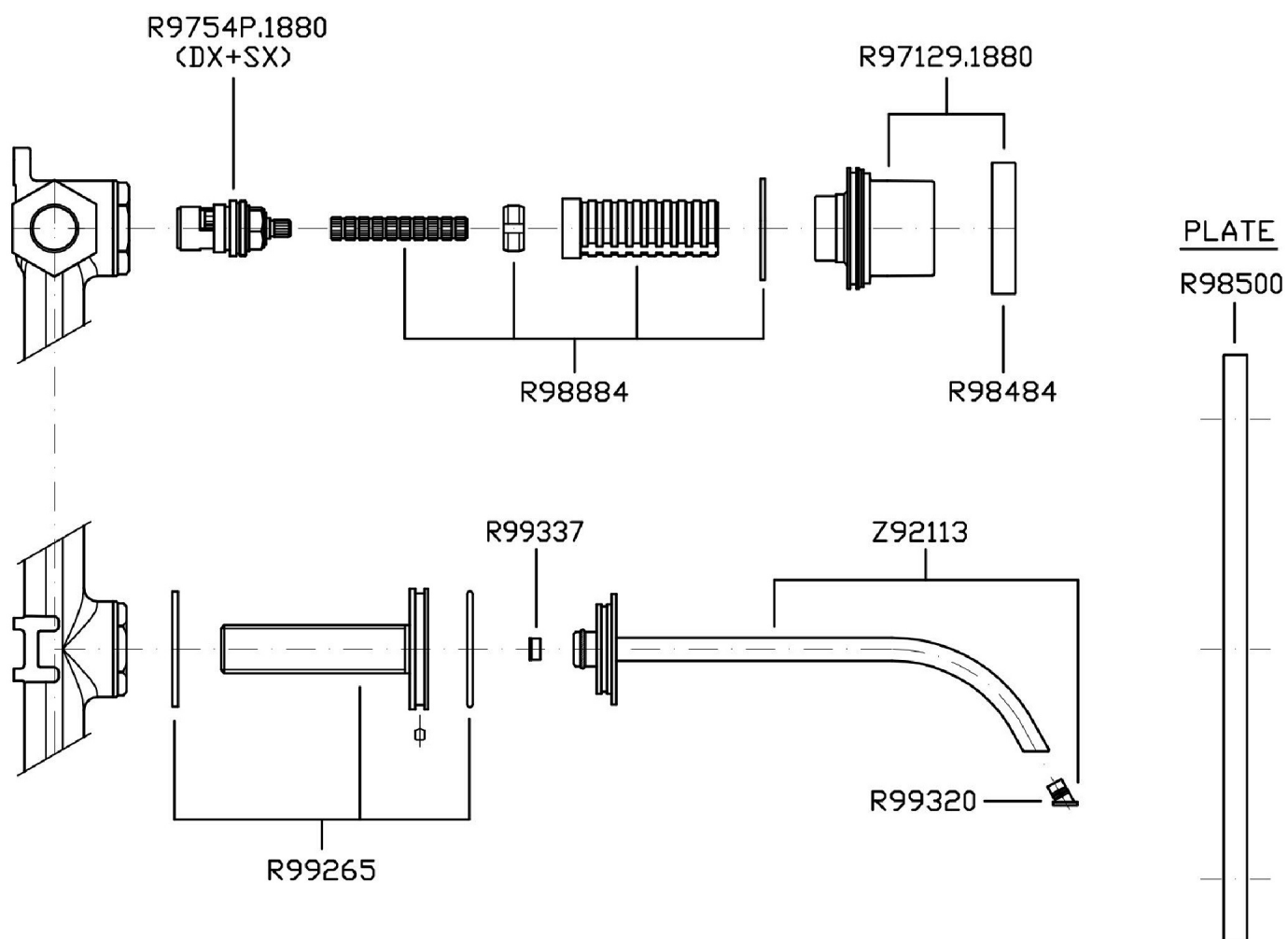
Brand ZUCCHETTI

Class

AGUABLU

AGUABLU

ZA5715.190E Exploded



Brand ZUCCHETTI

Class

AGUABLU

AGUABLU

ZA5715.190E Certifications

USA

IAPMO

AGUABLU

ZA5715.190E Weights and Sizes

Weight (lb)	2,4 (Kg)	5,29104 (lb)
Volume (dc3) - (in3)	7,43 (dc3)	0,000453 (in3)
h (mm) - (in)	90 (mm)	3,543309 (in)
L1 (mm) - (in)	250 (mm)	9,842525 (in)
L2 (mm) - (in)	330 (mm)	12,992133 (in)

