

Brand ZUCCHETTI

Class

AGUABLU

## AGUABLU

ZA5699.190E 3 hole built-in basin mixer.




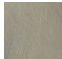

3 hole built-in basin mixer.  
Spout projection 7 5/16".  
Water flow restricted to 1,2 GPM.

R99500.190E

Assembled rough-in part, interaxe 8"



### Finishes

		C3		C8
Chrome	Brushed Nickel		Polished Nickel	

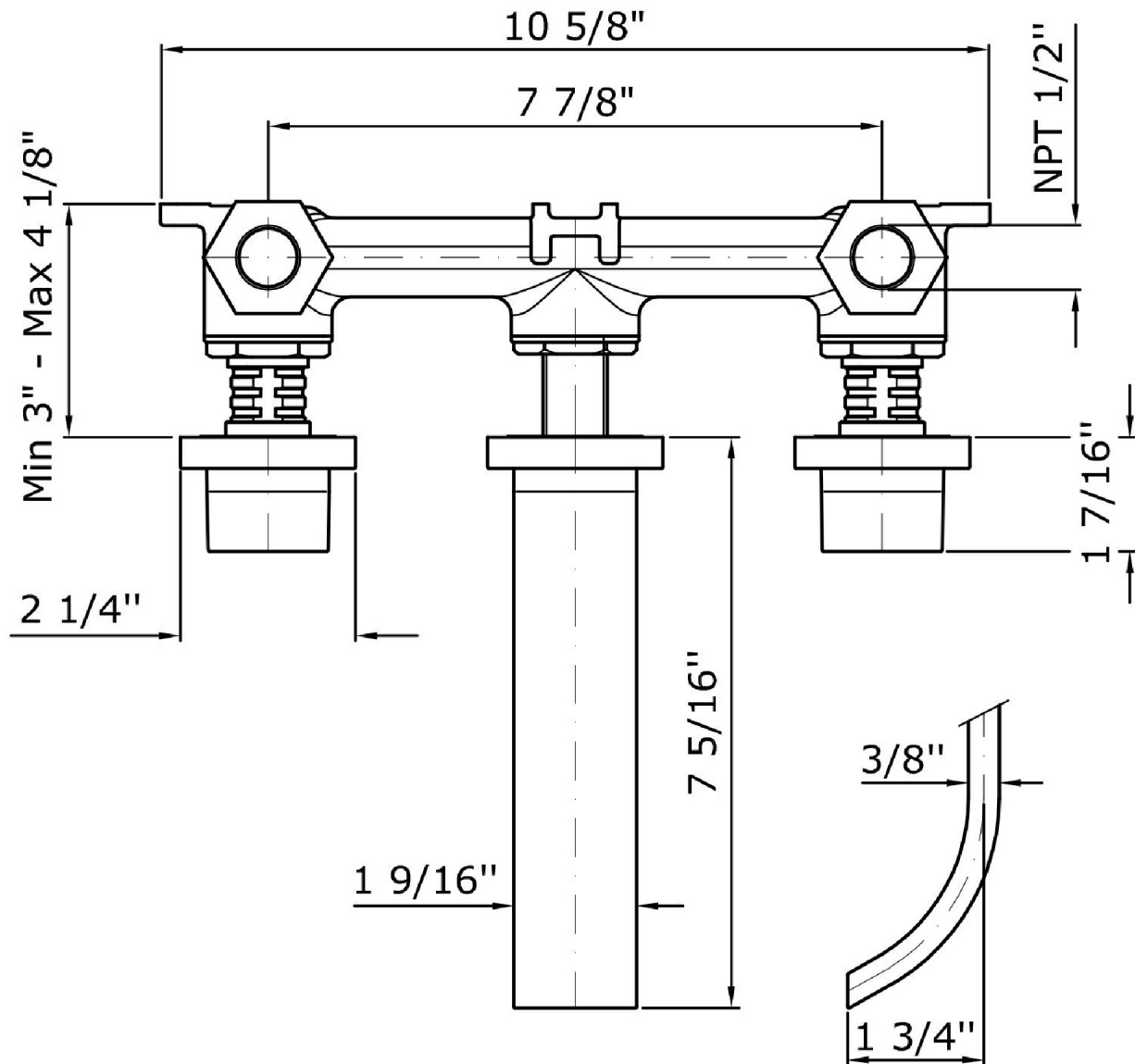
Brand ZUCCHETTI

Class

AGUABLU

## AGUABLU

ZA5699.190E Overall Drawing



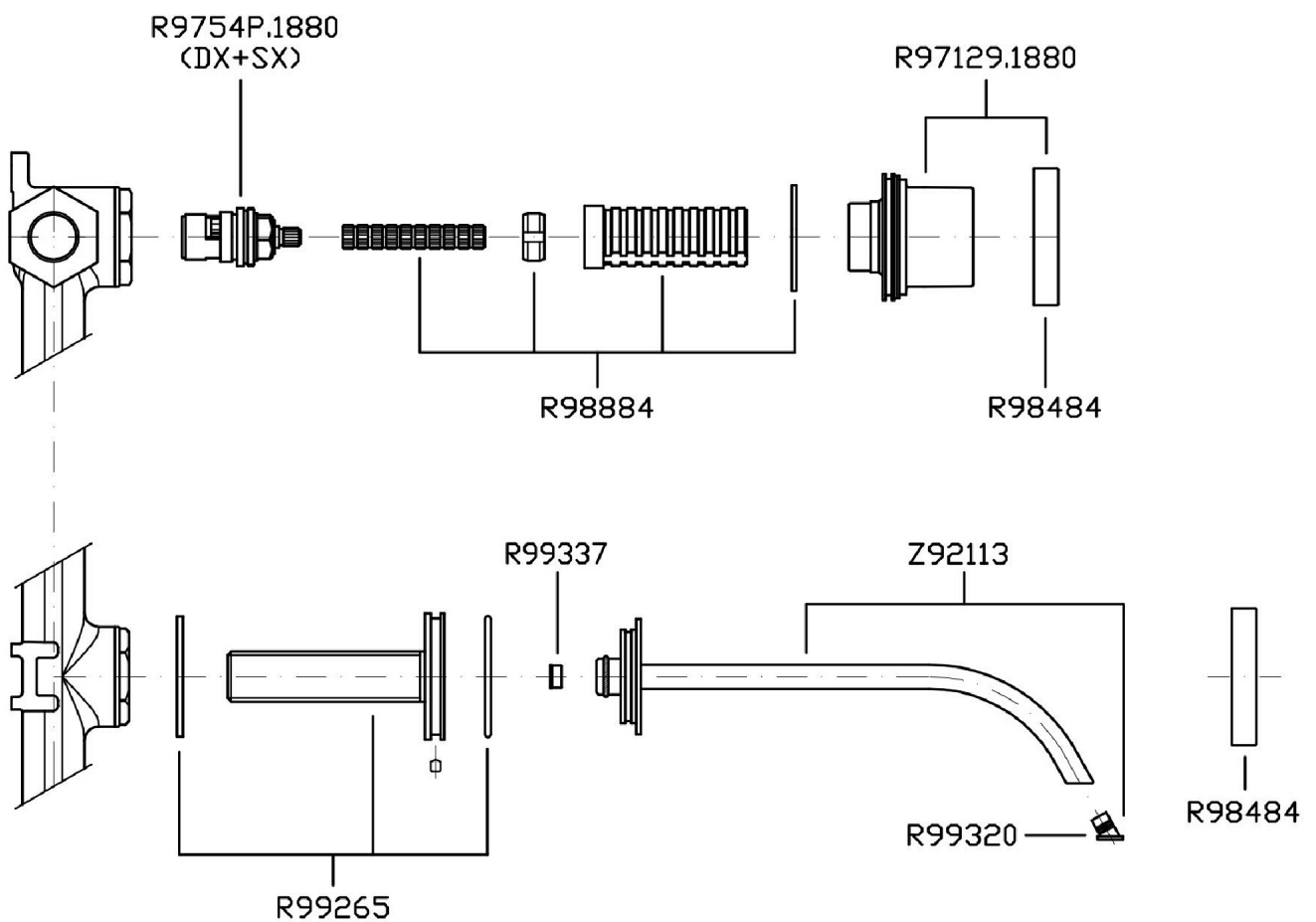
Brand ZUCCHETTI

Class

AGUABLU

## AGUABLU

ZA5699.190E Exploded



Brand ZUCCHETTI

Class

AGUABLU

## AGUABLU

ZA5699.190E Certifications

USA

IAPMO

## AGUABLU

ZA5699.190E Weights and Sizes

Weight ( lb )	1,88 ( Kg )	4,144648 ( lb )
Volume ( dc3 ) - ( in3 )	7,43 ( dc3 )	0,000453 ( in3 )
h ( mm ) - ( in )	90 ( mm )	3,543309 ( in )
L1 ( mm ) - ( in )	250 ( mm )	9,842525 ( in )
L2 ( mm ) - ( in )	330 ( mm )	12,992133 ( in )

