

Brand ZUCCHETTI

Class

AGUABLU

AGUABLU

ZA5646.1900 Built-in thermostatic shower mixer and 2/3 way diverter.



1/2" built-in thermostatic shower mixer and 2/3 way diverter with water on/off function.
5,2 GPM @ 43,5 PSI.

R97810.1900

Rough-in _ 2 way thermostatic mixer



R97815.1900

Rough-in _ 3 way thermostatic mixer



Finishes



Chrome



Brushed Nickel

C3

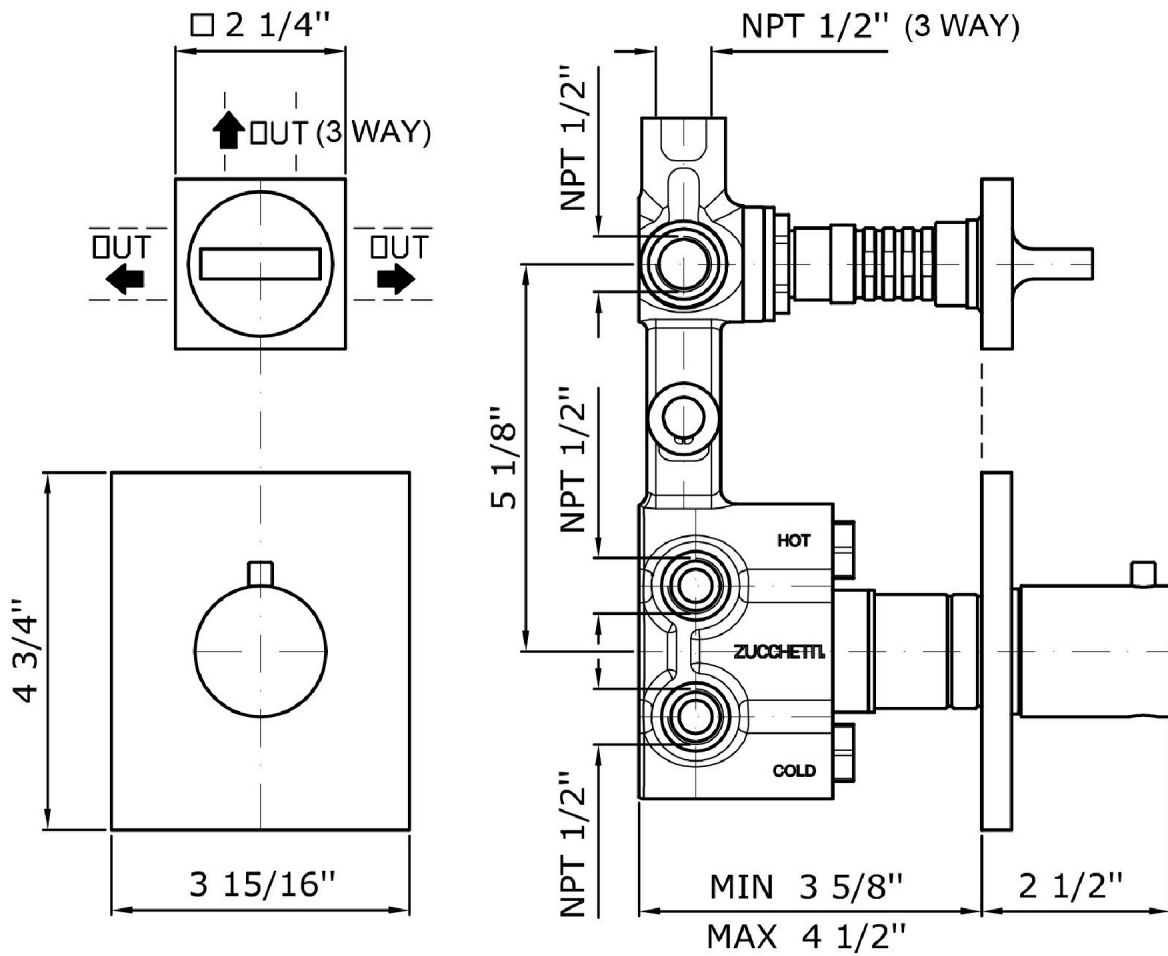


Polished Nickel

C8

AGUABLU

ZA5646.1900 Overall Drawing



Brand ZUCCHETTI

Class

AGUABLU

AGUABLU

ZA5646.1900 Weights and Sizes

Weight (lb)	1,92 (Kg)	4,232832 (lb)
Volume (dc3) - (in3)	11,01 (dc3)	0,000672 (in3)
h (mm) - (in)	90 (mm)	3,543309 (in)
L1 (mm) - (in)	335 (mm)	13,1889835 (in)
L2 (mm) - (in)	365 (mm)	14,3700865 (in)

