

Brand ZUCCHETTI

Class

AGUABLU

AGUABLU

ZA5077.1900 Built-in thermostatic shower mixer with 1 volume control.



$\frac{3}{4}$ built-in thermostatic shower mixer with 1 volume control.
8 GPM @ 43,5 PSI.

R99630.1900

Rough-in



Finishes



Chrome



Brushed Nickel

C3



Polished Nickel

C8

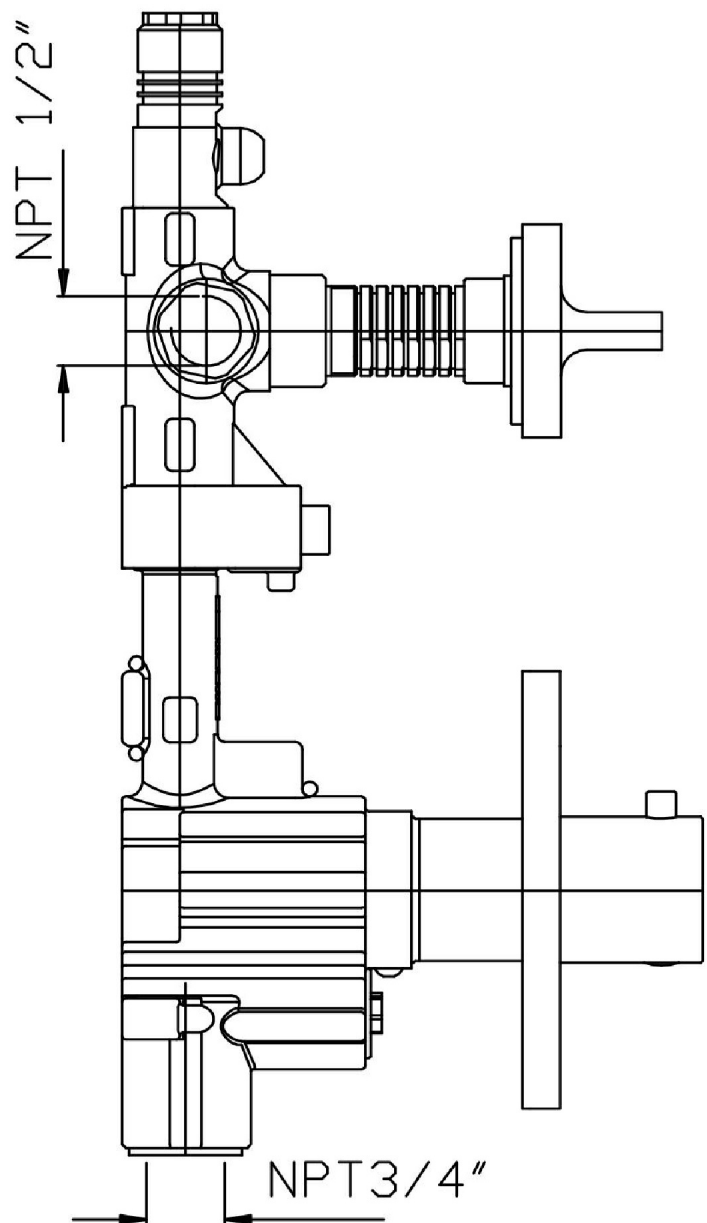
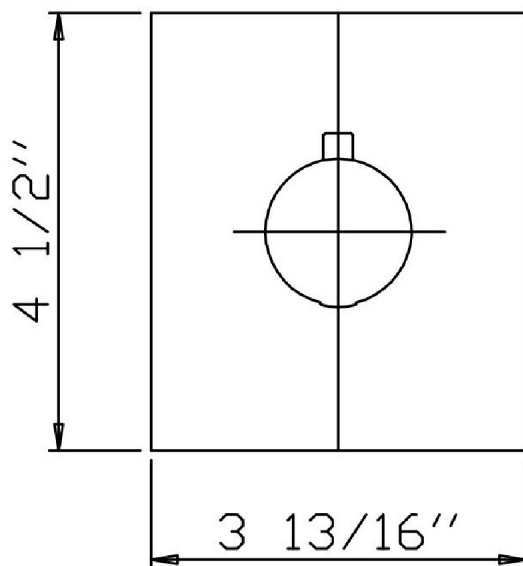
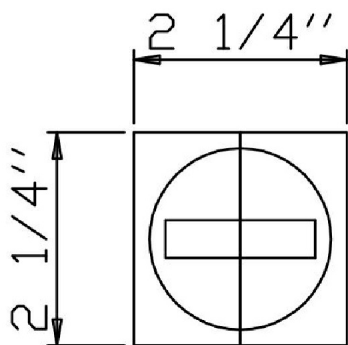
Brand ZUCCHETTI

Class

AGUABLU

AGUABLU

ZA5077.1900 Overall Drawing



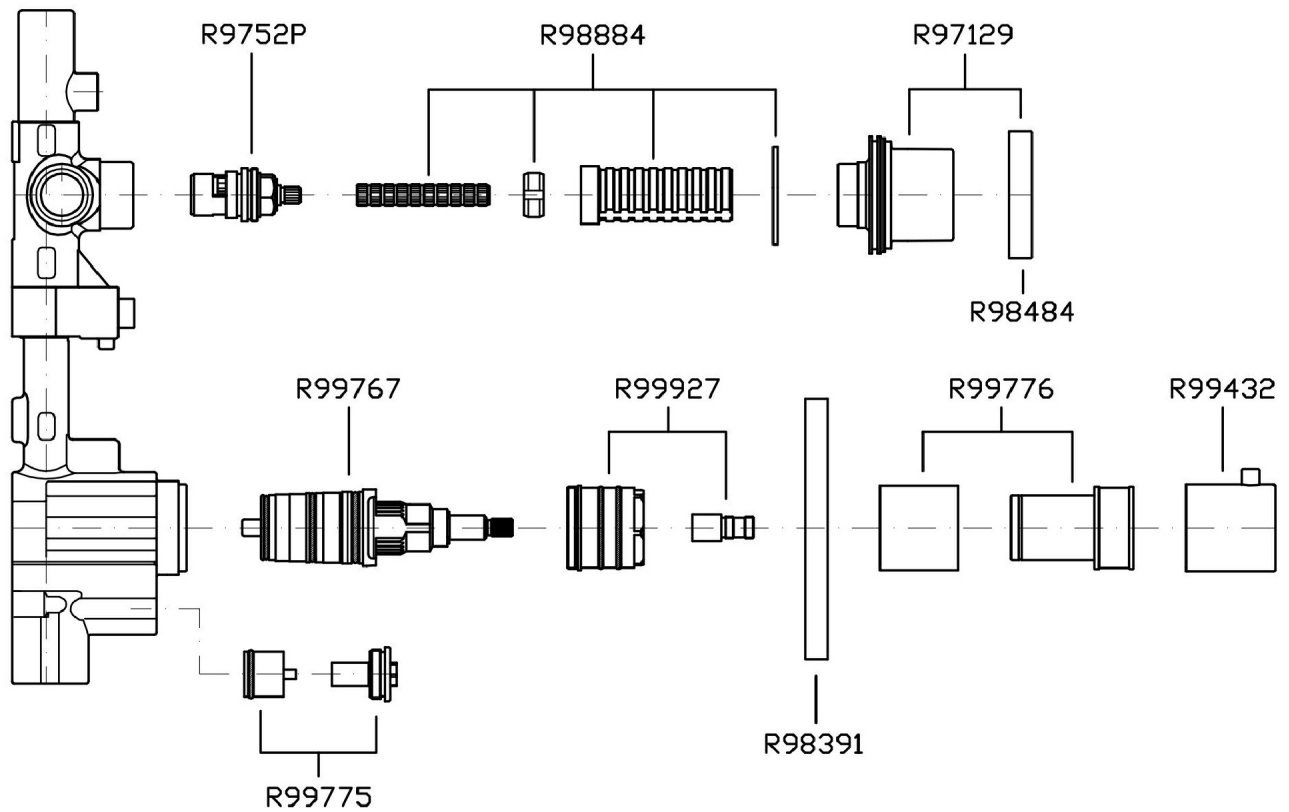
Brand ZUCCHETTI

Class

AGUABLU

AGUABLU

ZA5077.1900 Exploded



Brand ZUCCHETTI

Class

AGUABLU

AGUABLU

ZA5077.1900 Certifications

USA

IAPMO

AGUABLU

ZA5077.1900 Weights and Sizes

Weight (lb)	1,709 (Kg)	3,7676614 (lb)
Volume (dc3) - (in3)	11,01 (dc3)	0,000672 (in3)
h (mm) - (in)	90 (mm)	3,543309 (in)
L1 (mm) - (in)	335 (mm)	13,1889835 (in)
L2 (mm) - (in)	365 (mm)	14,3700865 (in)

