

SHOWER

Z95212

Complete slide rail.



Complete slide rail, length 31 1/2", handshower Z94740, 59" flexible hose.

Finiture / Finishes

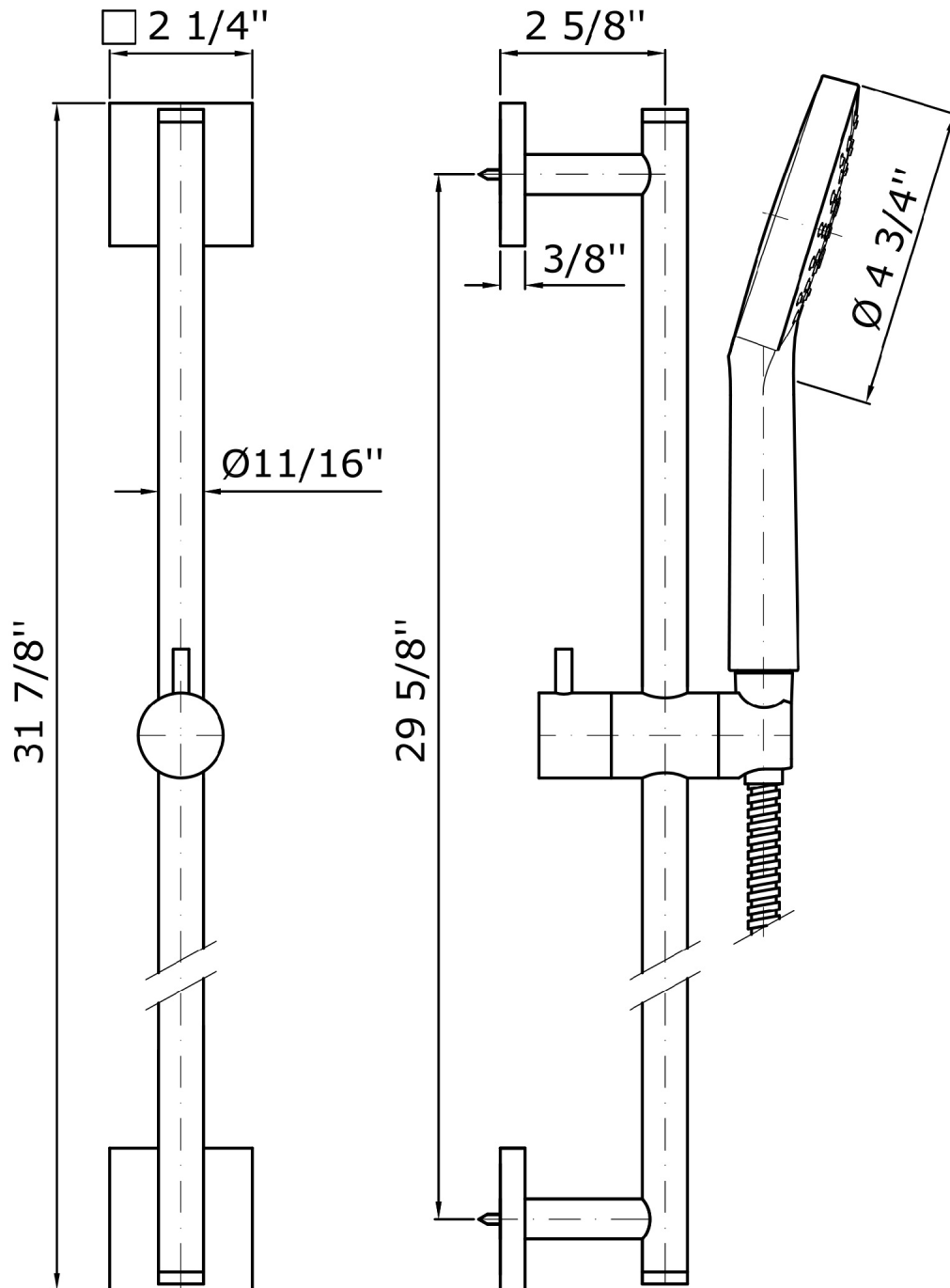


Chrome

SHOWER

Z95212

Disegno Complessivo / Overall Drawing

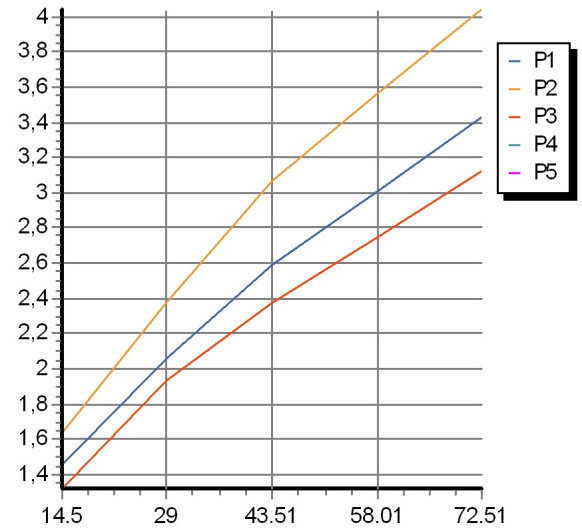


SHOWER

Z95212

Flowrates (GPM)

| PRESSURE | gal/min (14.5 PSI) | gal/min (29 PSI) | gal/min (43.51 PSI) | gal/min (58.01 PSI) | gal/min (72.51 PSI) |
|---|-----------------------|---------------------|------------------------|------------------------|------------------------|
| GETTO ENERGICO <i>P1</i> ENERGETIC JET | 1,32 | 1,928 | 2,377 | 2,747 | 3,117 |
| GETTO CORPOSO <i>P2</i> STRONG JET | 1,637 | 2,377 | 3,064 | 3,566 | 4,041 |
| GETTO A PIOGGIA <i>P3</i> SPRINKLE JET | 1,452 | 2,06 | 2,588 | 3,011 | 3,434 |
| <i>P4</i> | | | | | |
| <i>P5</i> | | | | | |



SHOWER

Z95212

Pesi e Misure / Weights and Sizes

| | | |
|-------------------------------|---------------|----------------|
| Peso (Kg) Weight (lb) | 1,50 (Kg) | 3,31 (lb) |
| Volume test (dc3) - (in3) | 9,97 (dc3) | 608,41 (in3) |
| h (mm) - (in) | 105,00 (mm) | 4,13 (in) |
| L1 (mm) - (in) | 130,00 (mm) | 5,12 (in) |
| L2 (mm) - (in) | 730,00 (mm) | 28,74 (in) |

