

Brand ZUCCHETTI

Class MISCELLANEOUS

JINGLE

Z94652.1900 Built-in thermostatic bath shower mixer.



Built-in thermostatic bath shower mixer, 2 way diverter.
4,85 GPM @ 43,5 PSI

R98662.1900

Rough-in



Finishes

	 C3	 C8	 C40	 C41	 C50	 C51
Chrome	Brushed Nickel	Polished Nickel	Gold	Brushed Gold	Metal Black	Brushed Metal Black
 W1	 N1					
Embossed Matt White	Embossed Matt Black					

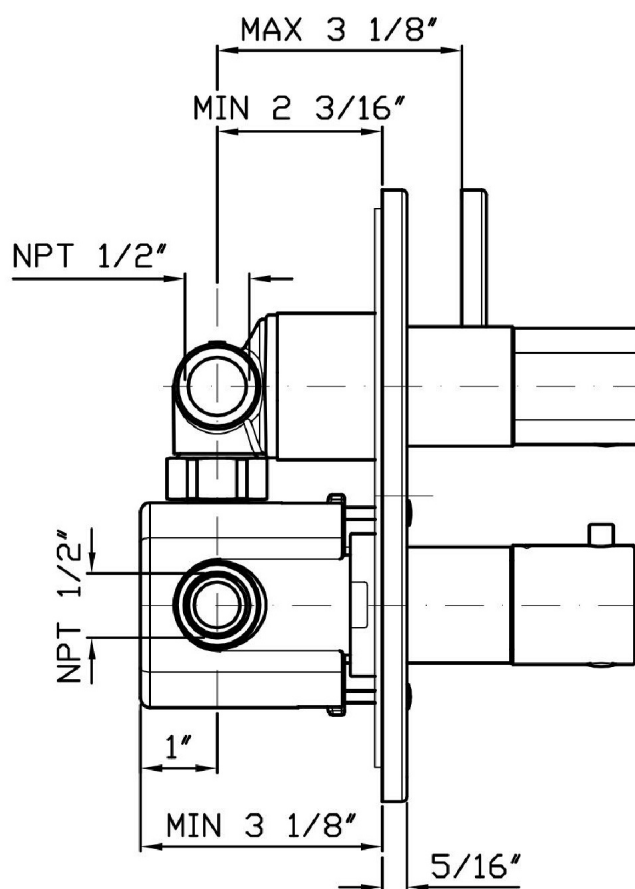
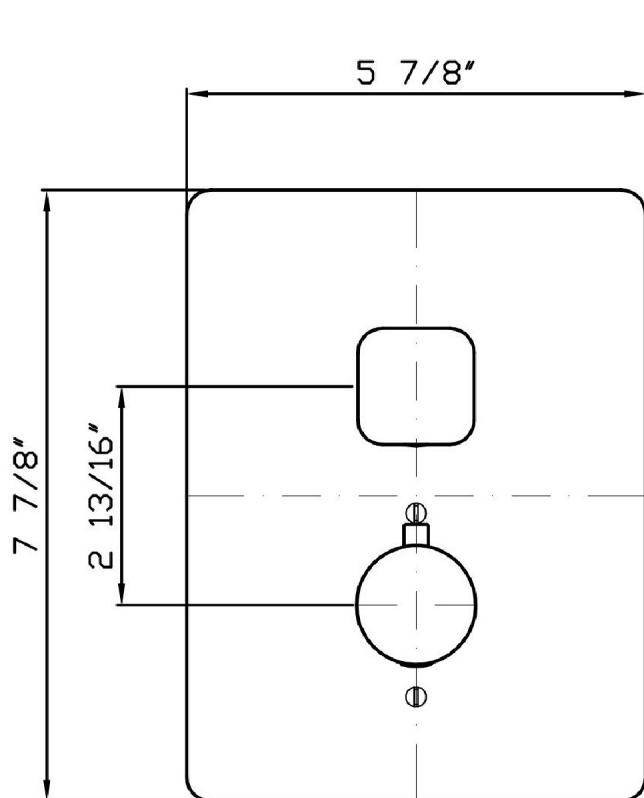
Brand ZUCCHETTI

Class

MISCELLANEOUS

JINGLE

Z94652.1900 Overall Drawing



Brand ZUCCHETTI

Class MISCELLANEOUS

JINGLE

Z94652.1900 Certifications

USA

IAPMO

JINGLE

Z94652.1900 Weights and Sizes

Weight (lb)	1,08 (Kg)	2,380968 (lb)
Volume (dc3) - (in3)	3,32 (dc3)	0,000203 (in3)
h (mm) - (in)	93 (mm)	3,6614193 (in)
L1 (mm) - (in)	162 (mm)	6,3779562 (in)
L2 (mm) - (in)	220 (mm)	8,661422 (in)

